



Motorcycles

IMZ-8.1034/37



Katalog

Fig.1

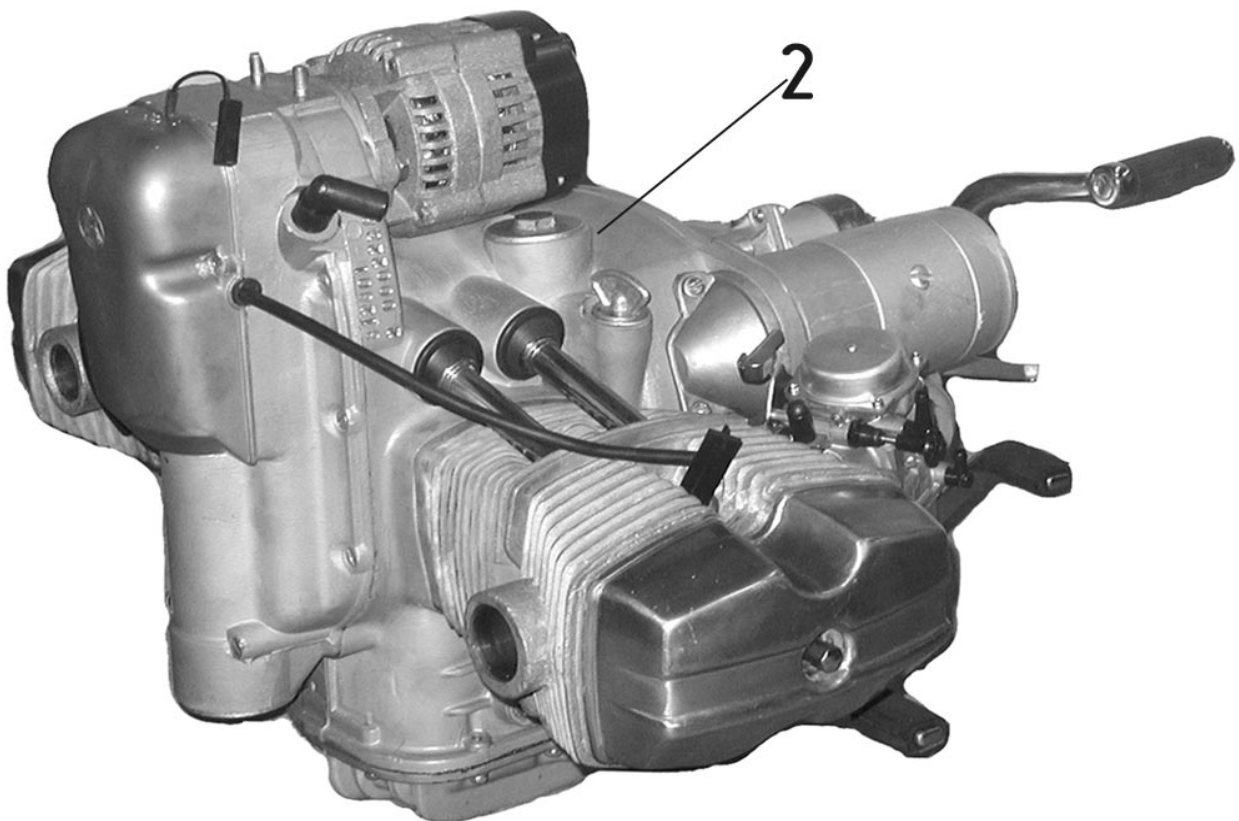
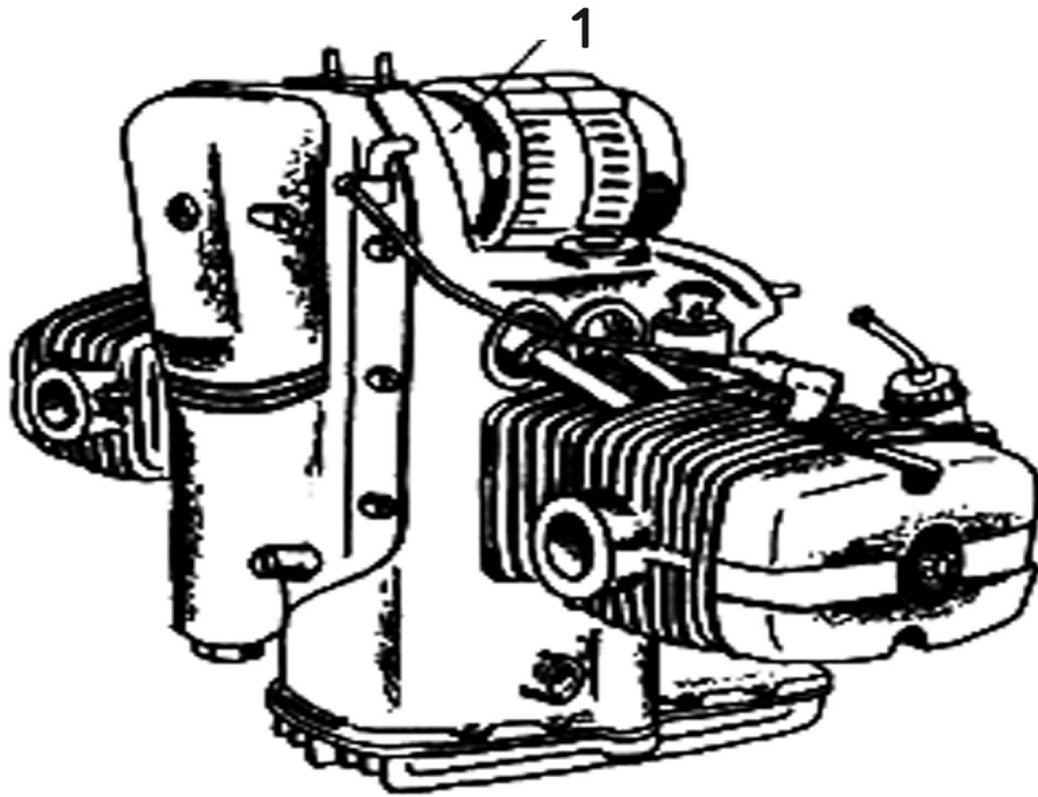




Fig.2

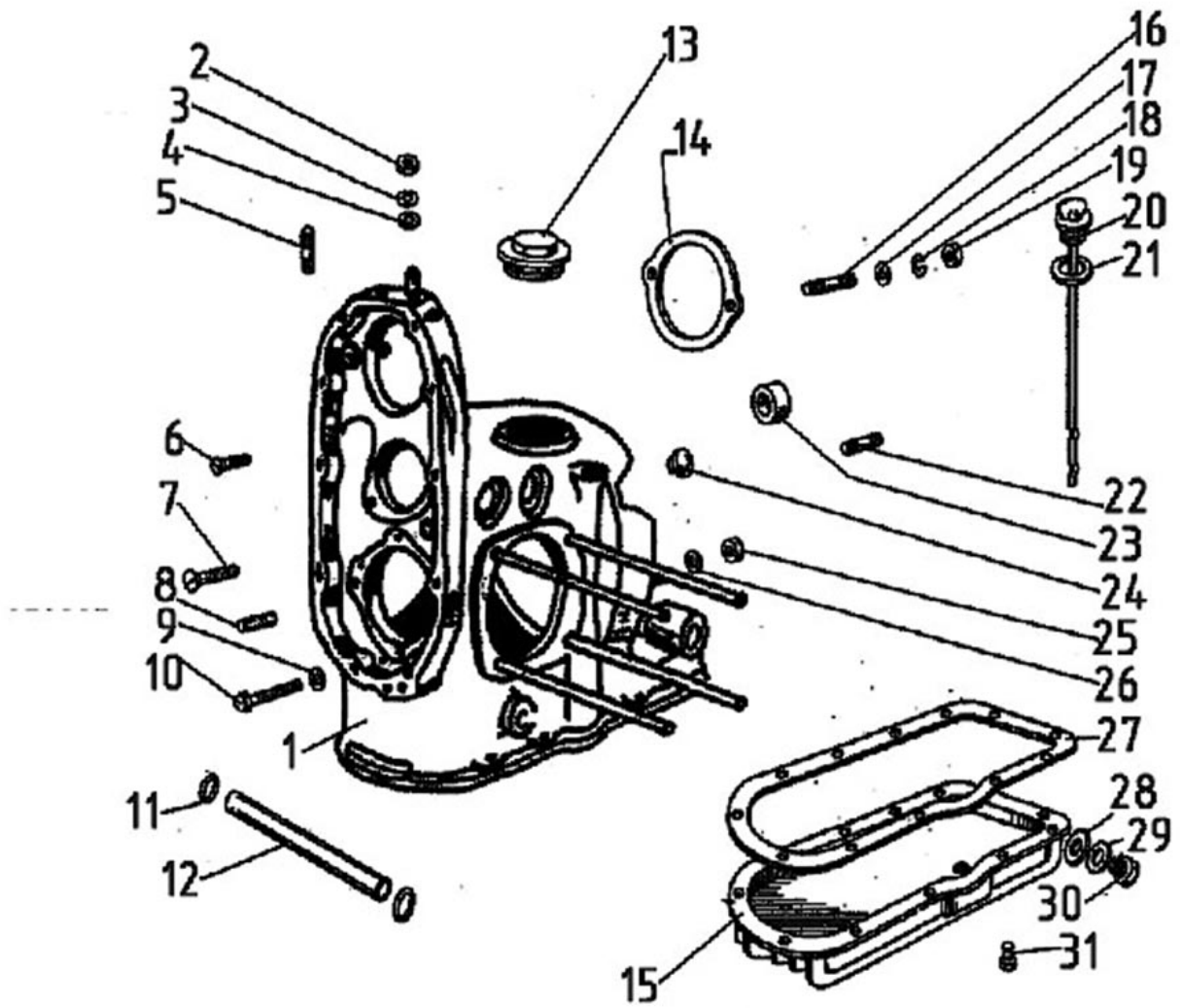


Fig.3

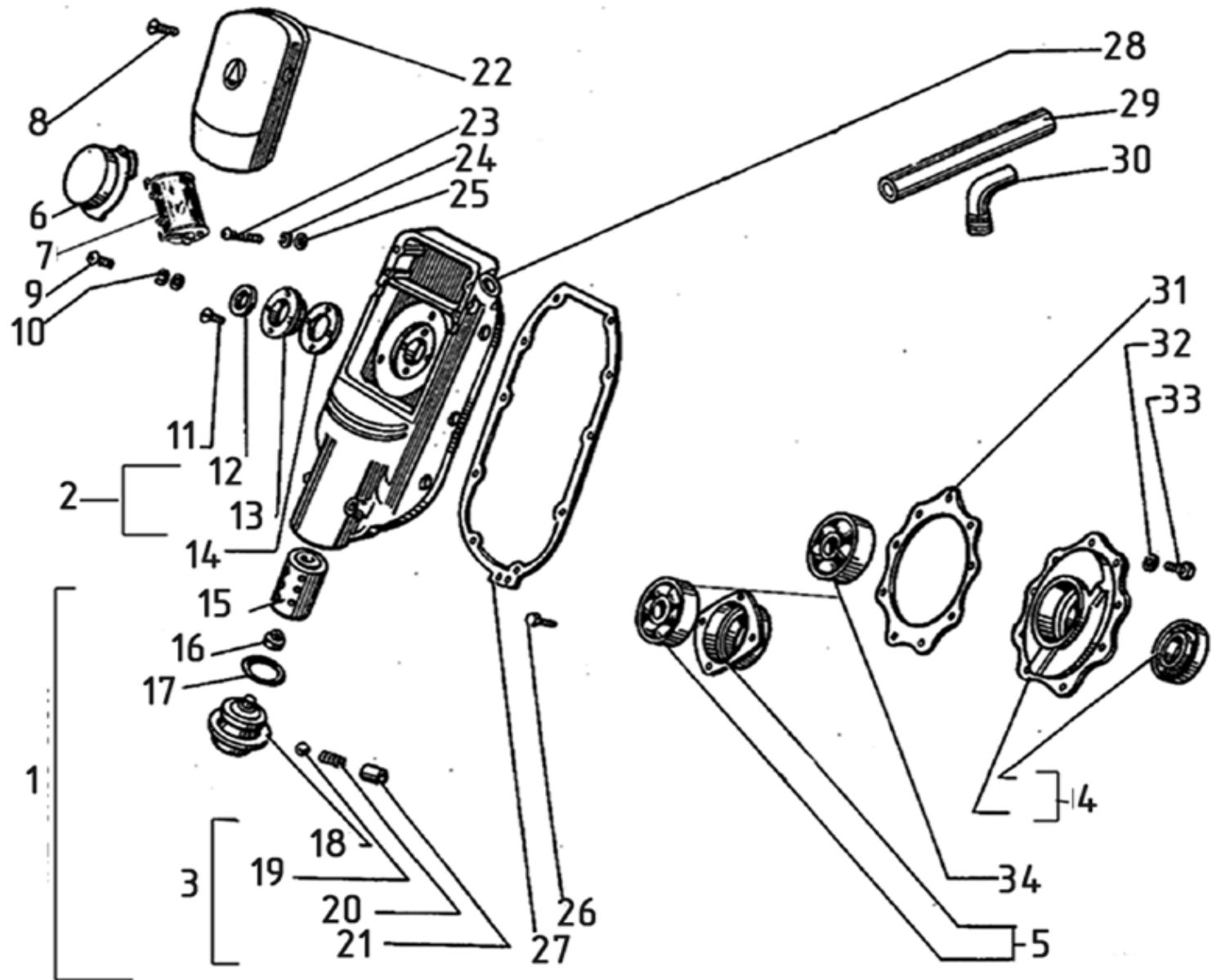


Fig.4

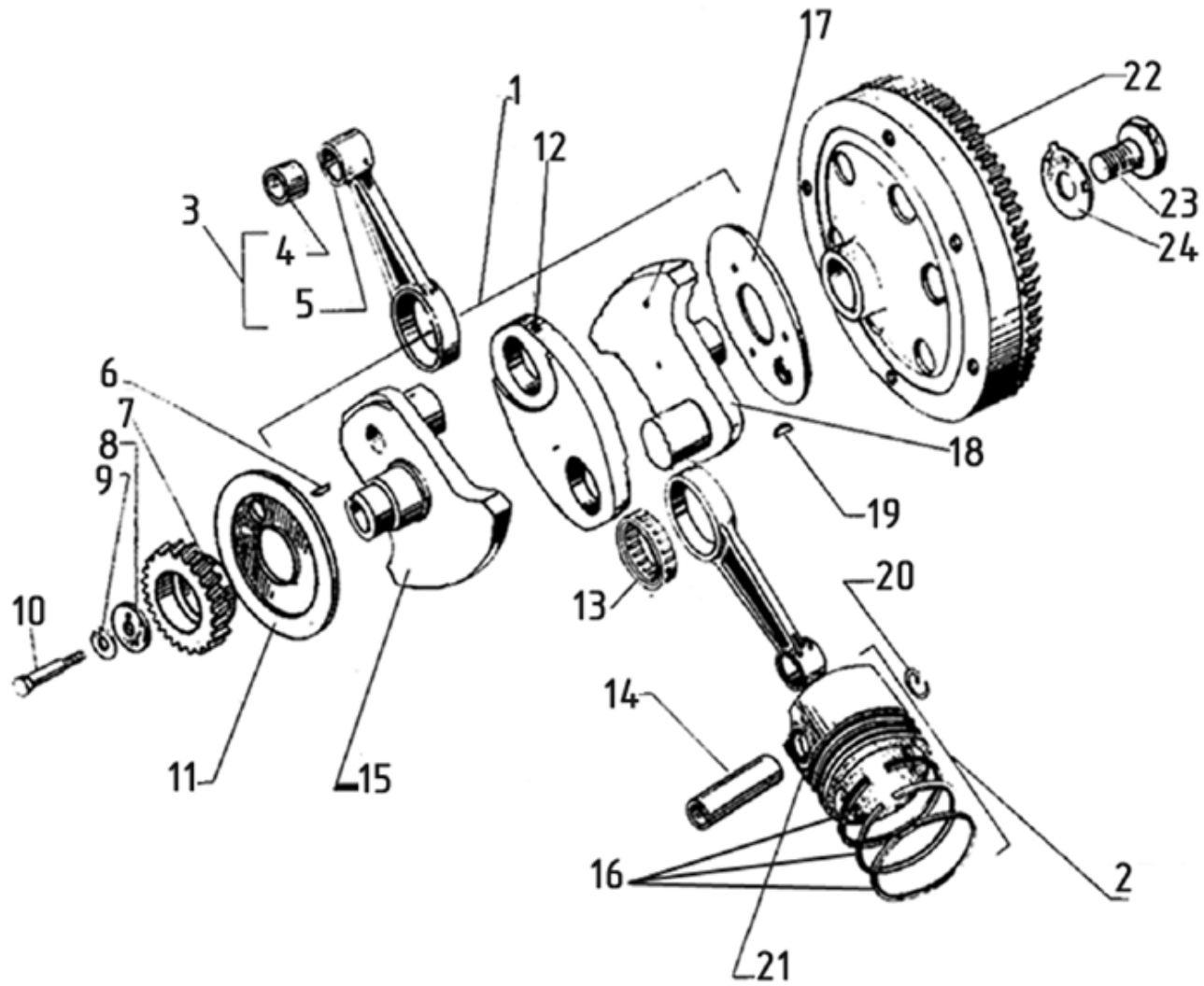


Fig.5

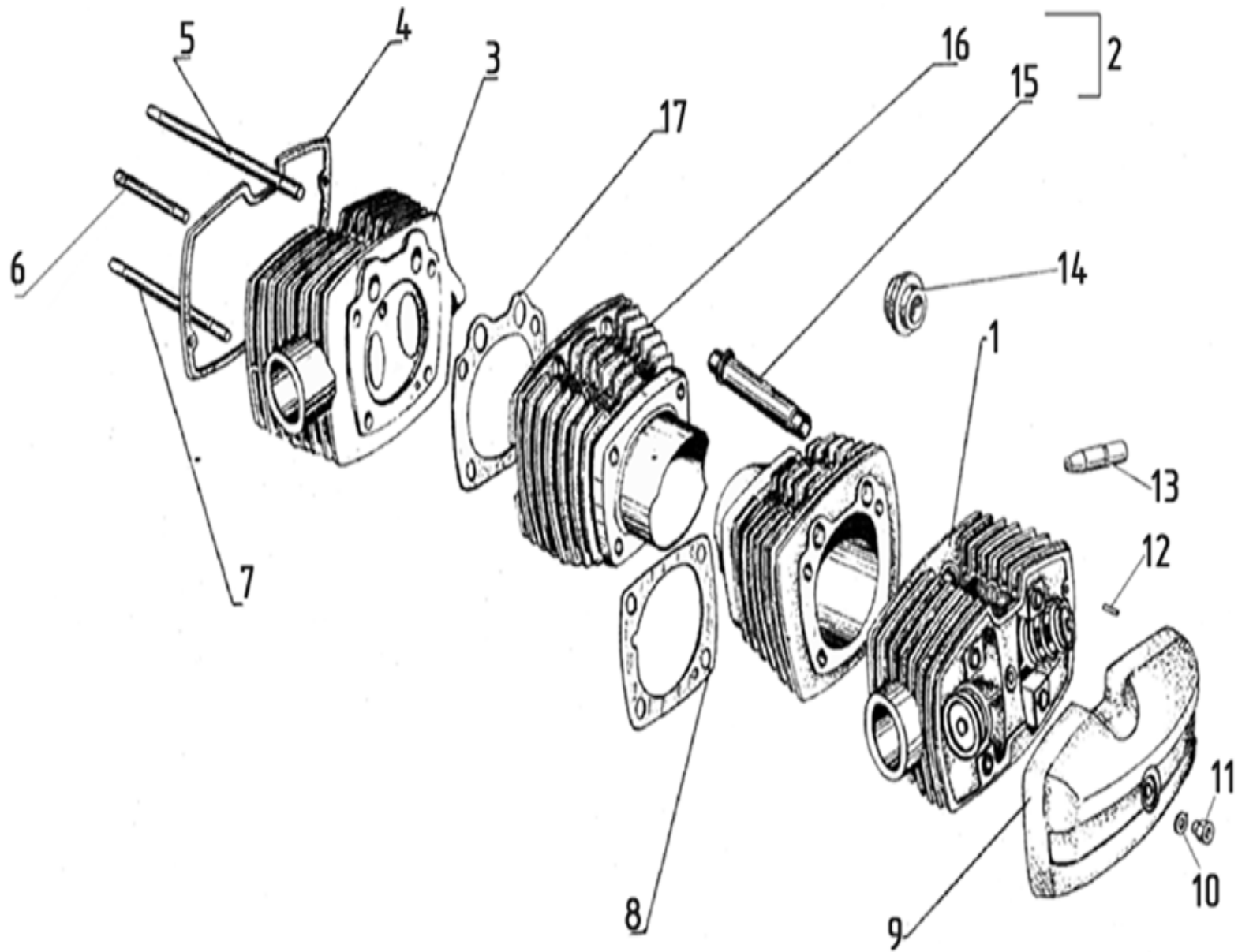


Fig.6

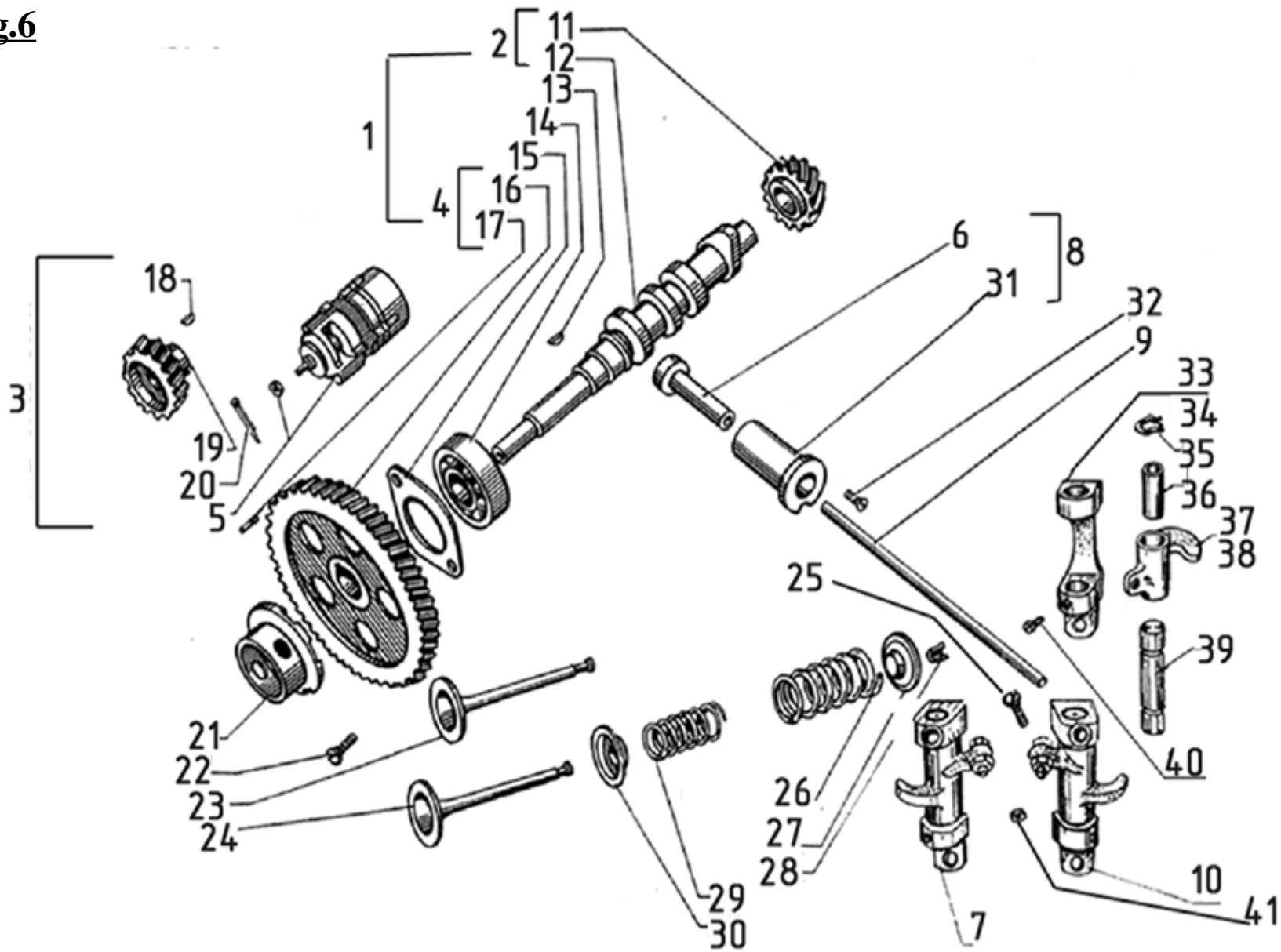




Fig.7

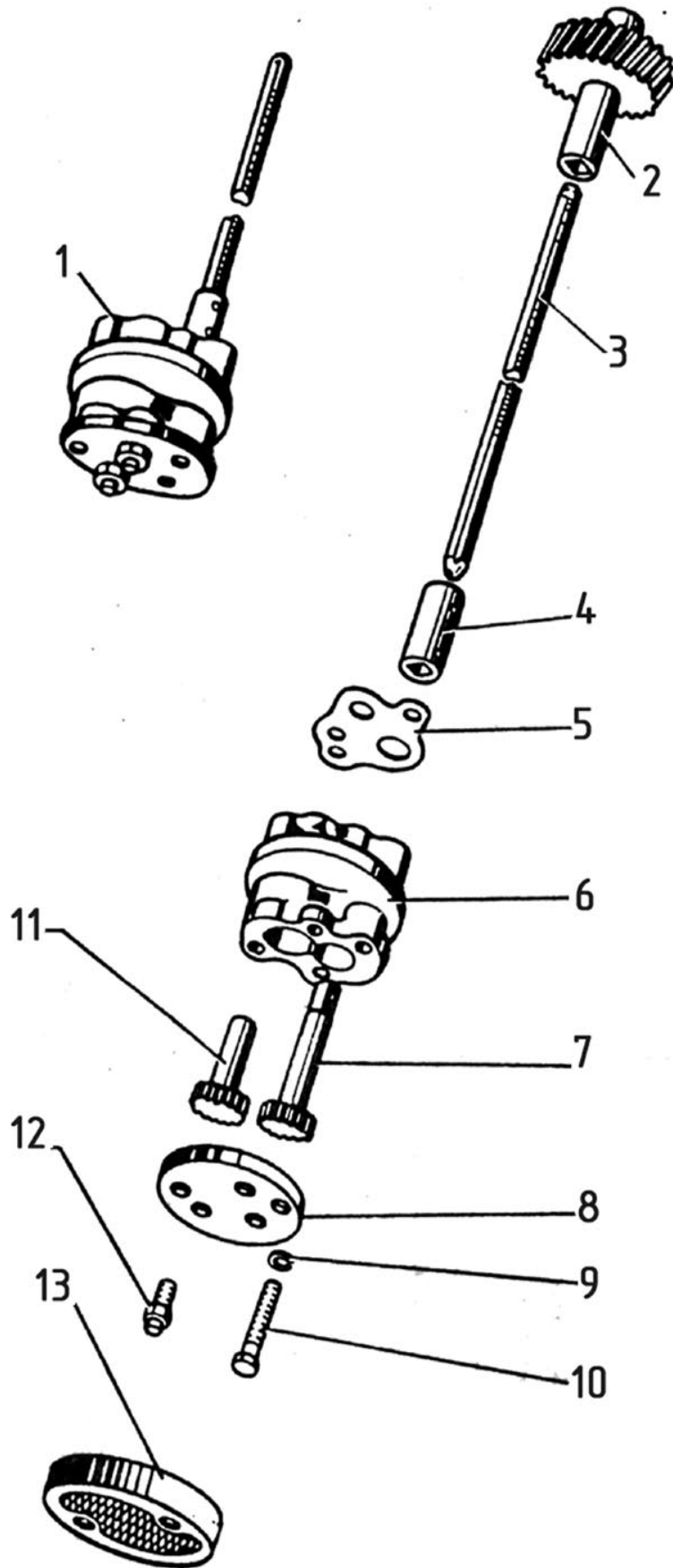


Fig.8

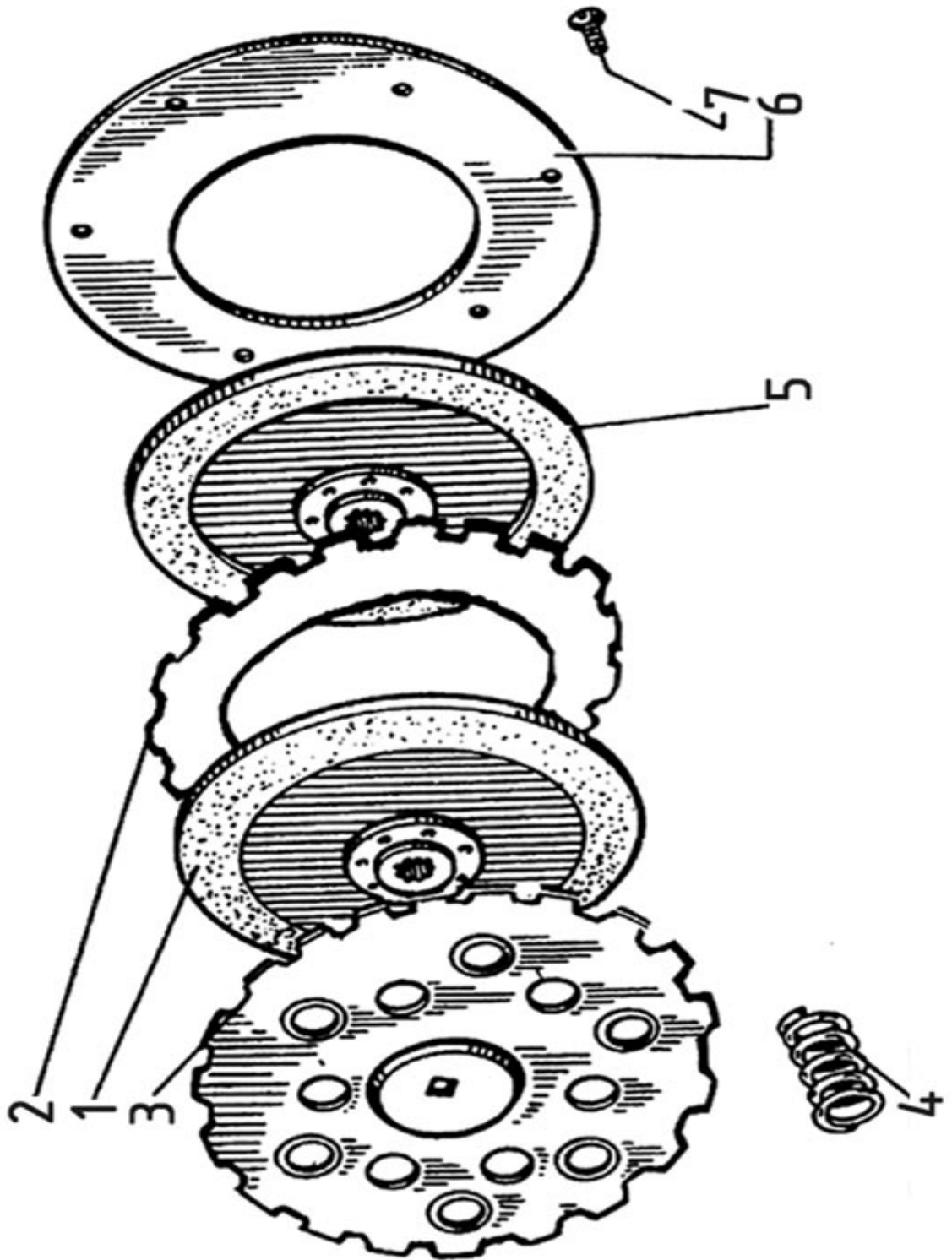




Fig.9

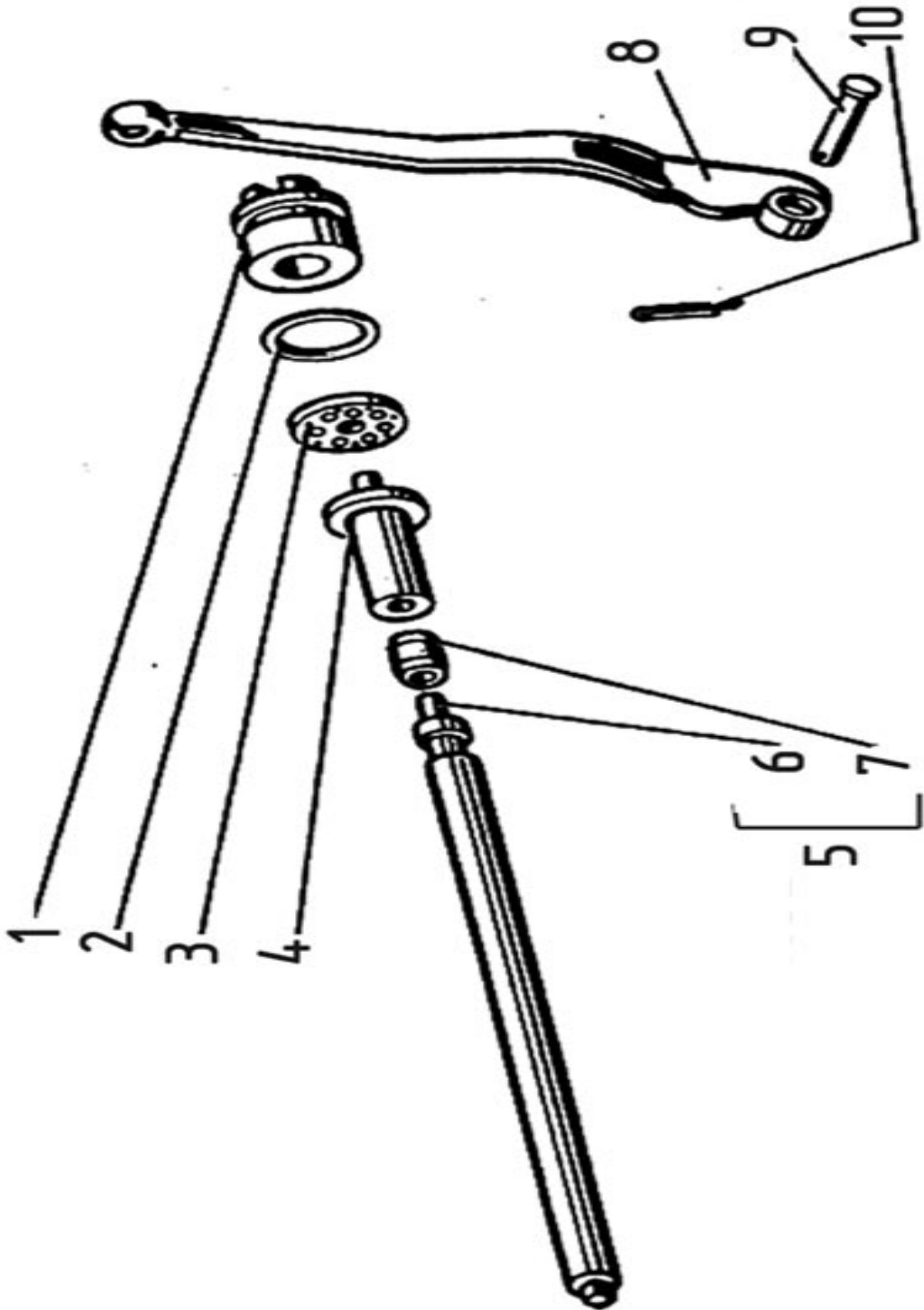


Fig.10

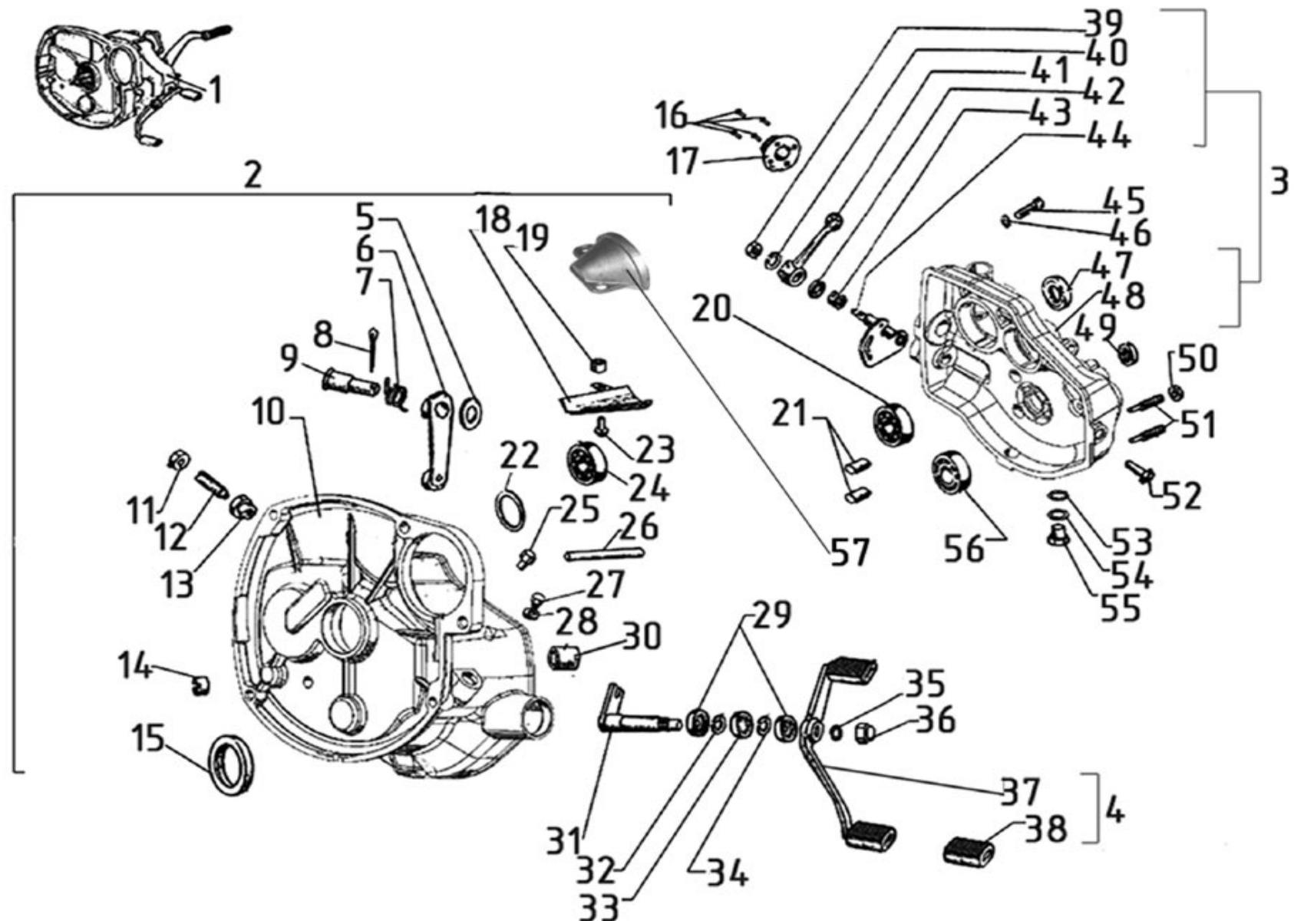


Fig.11

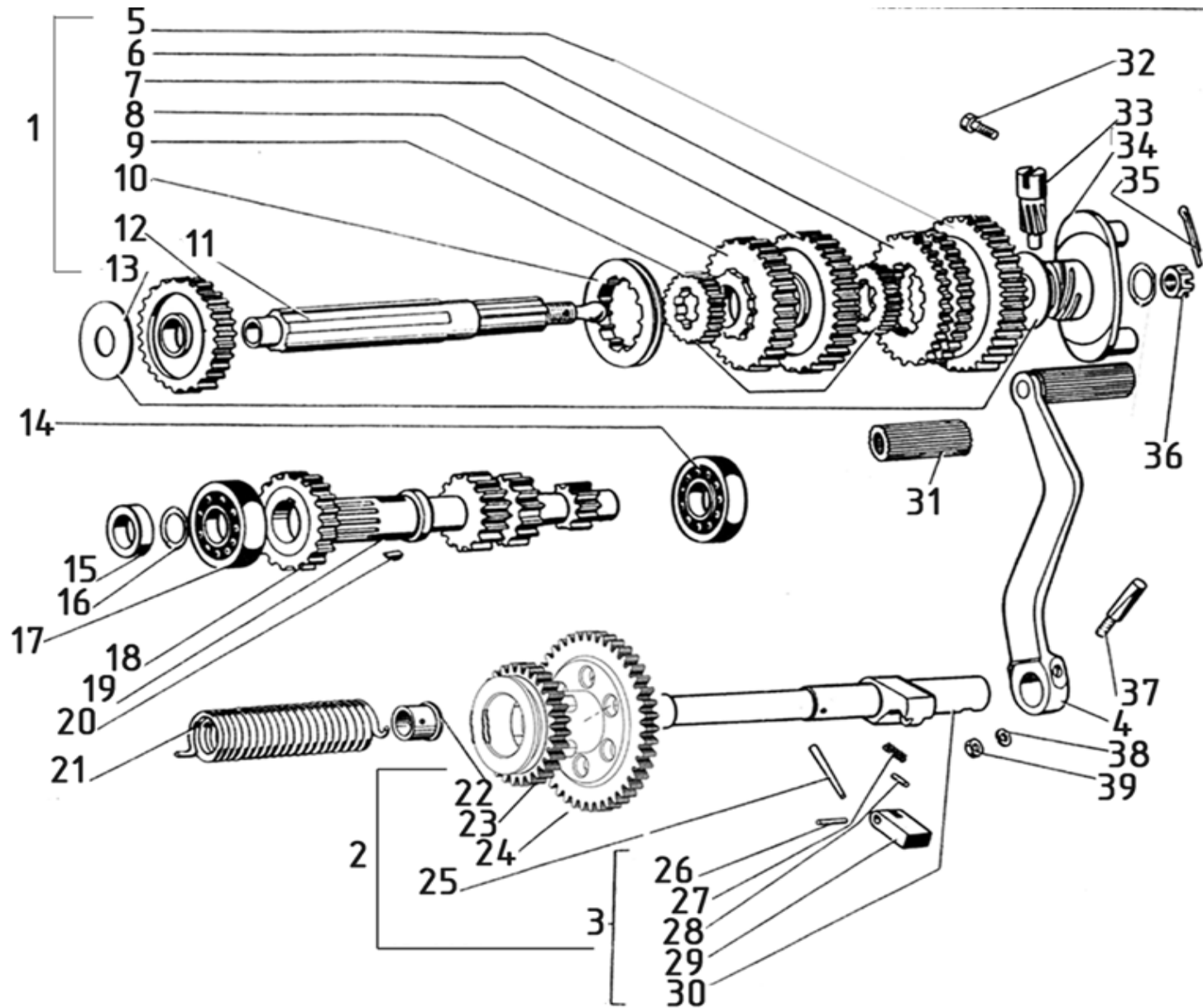


Fig.12

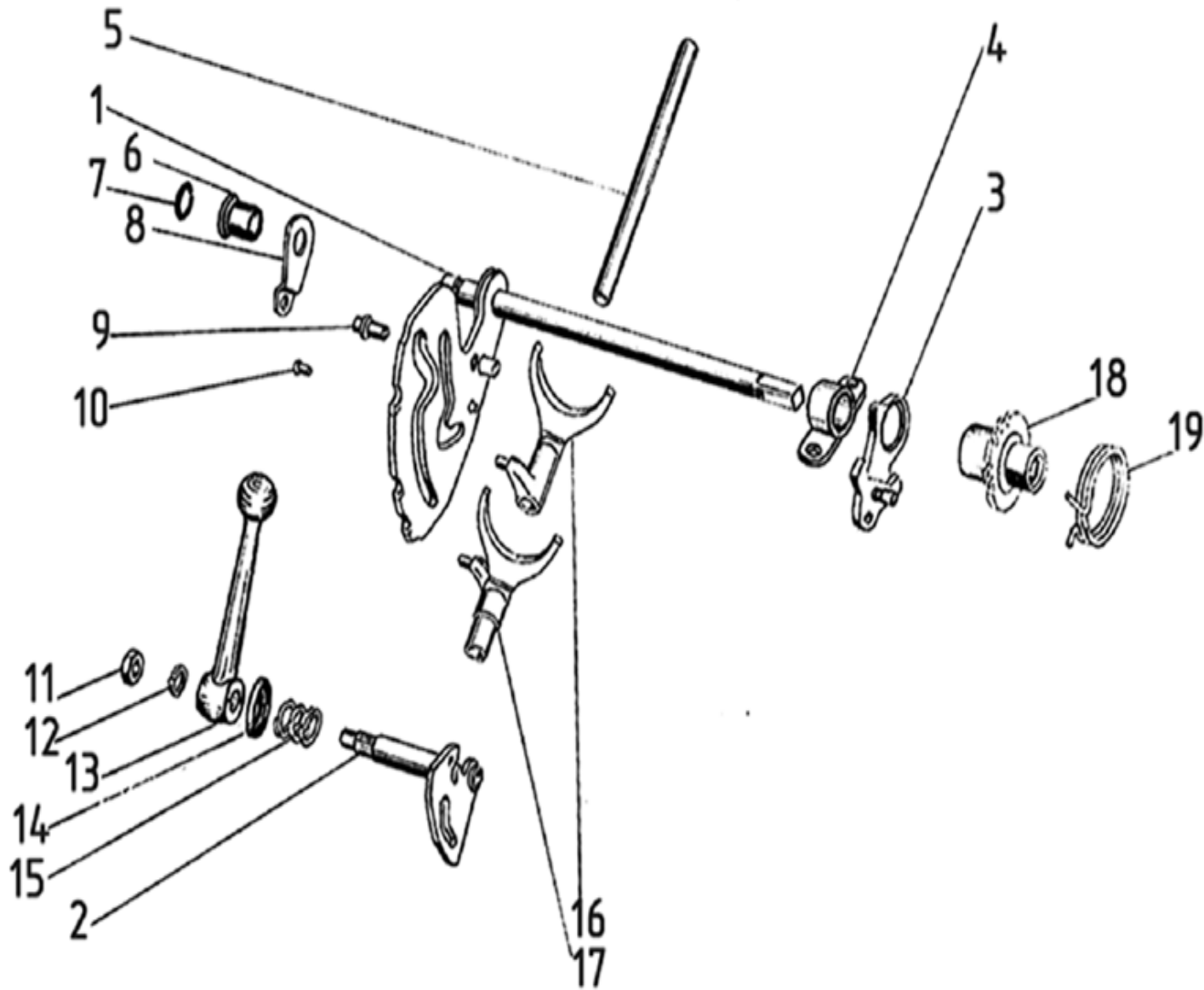


Fig.13

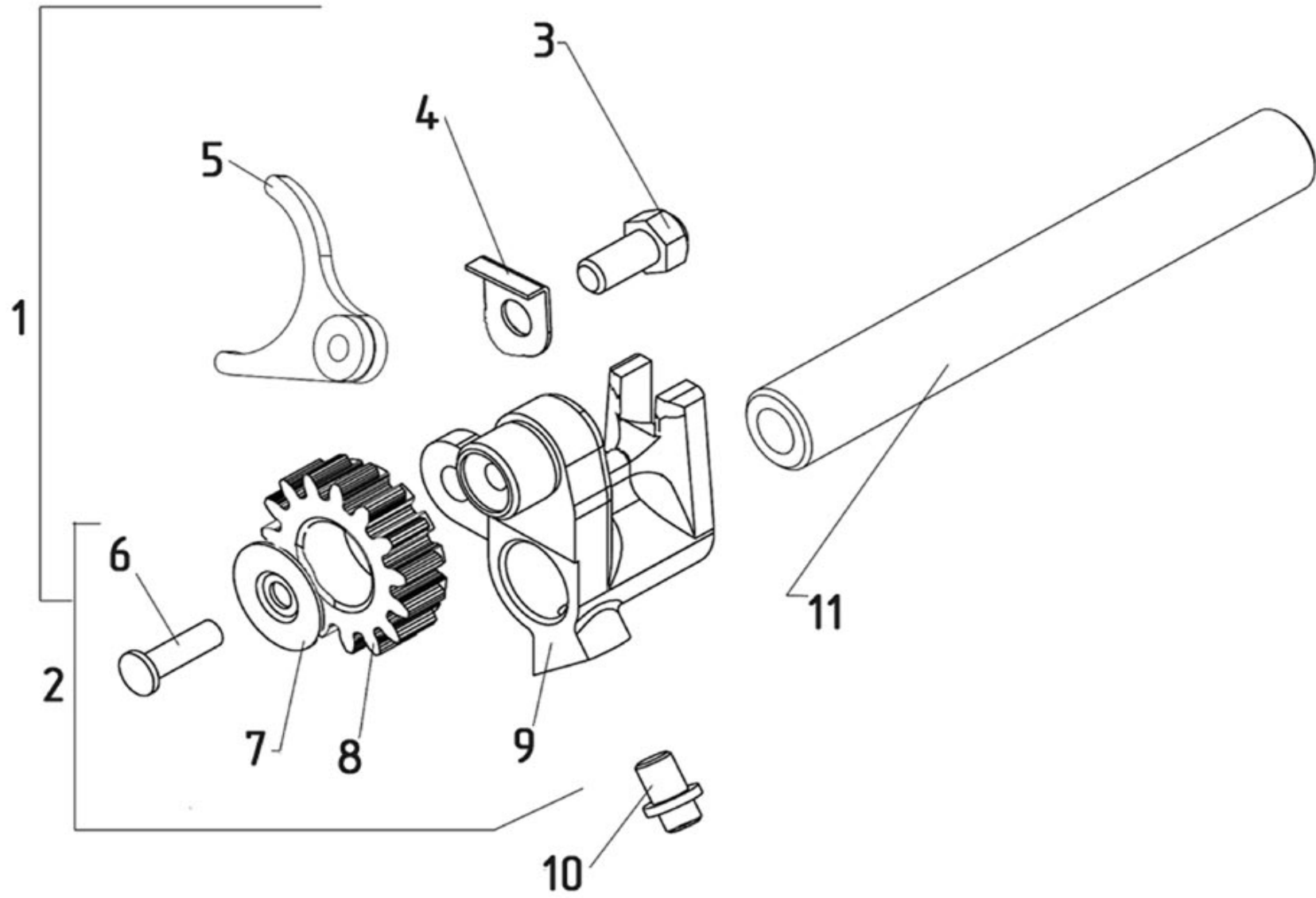


Fig.14

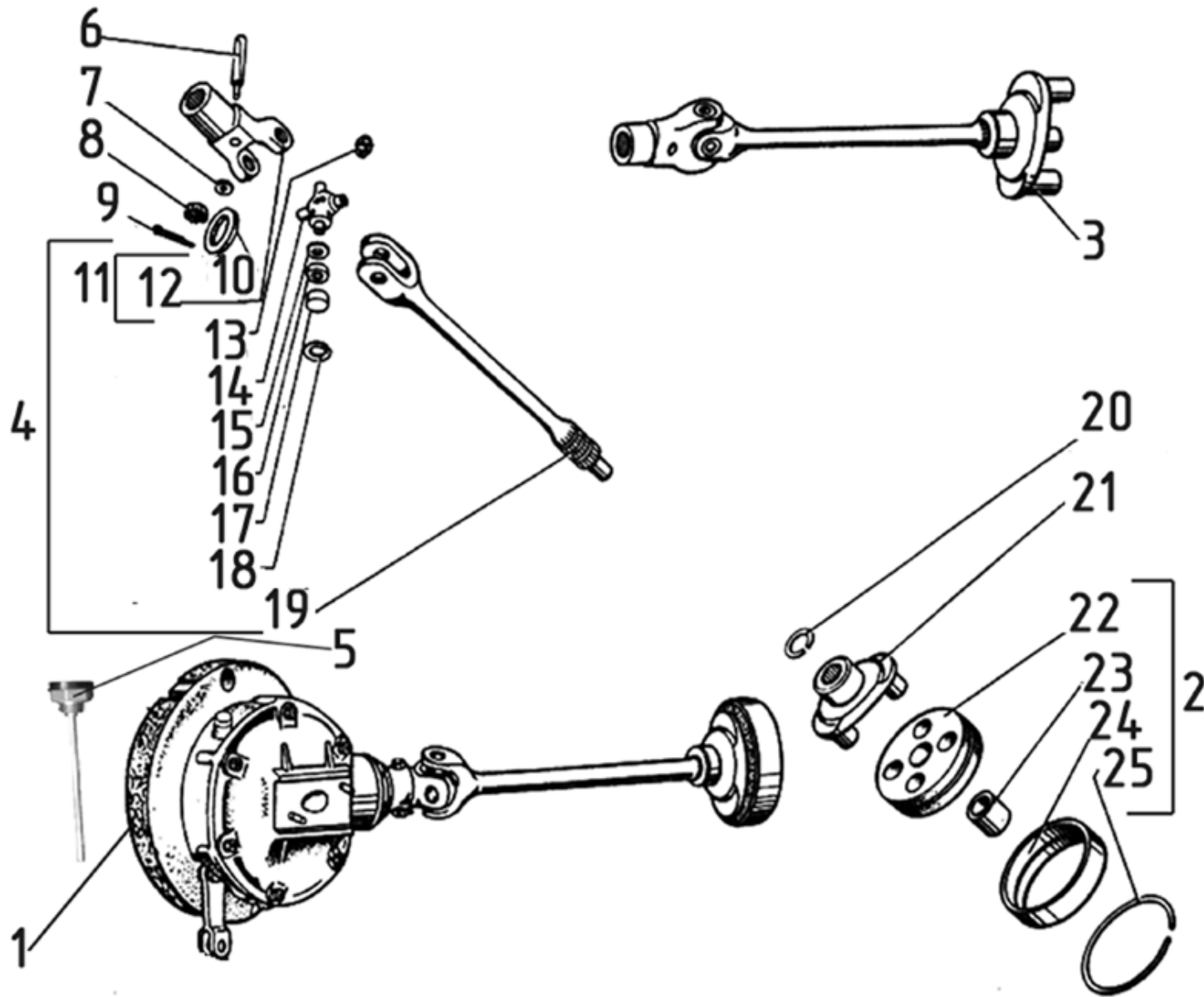


Fig.15

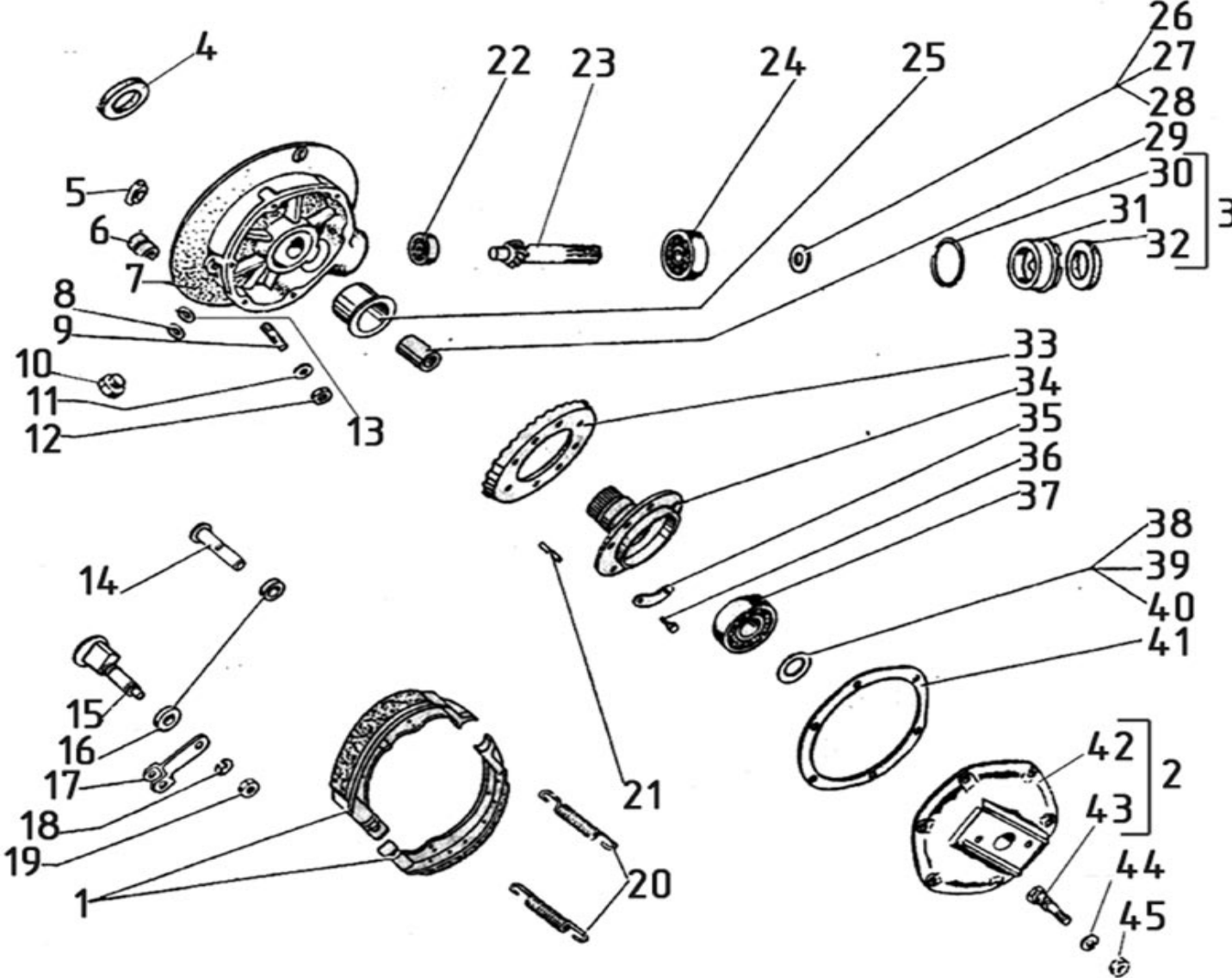


Fig.16

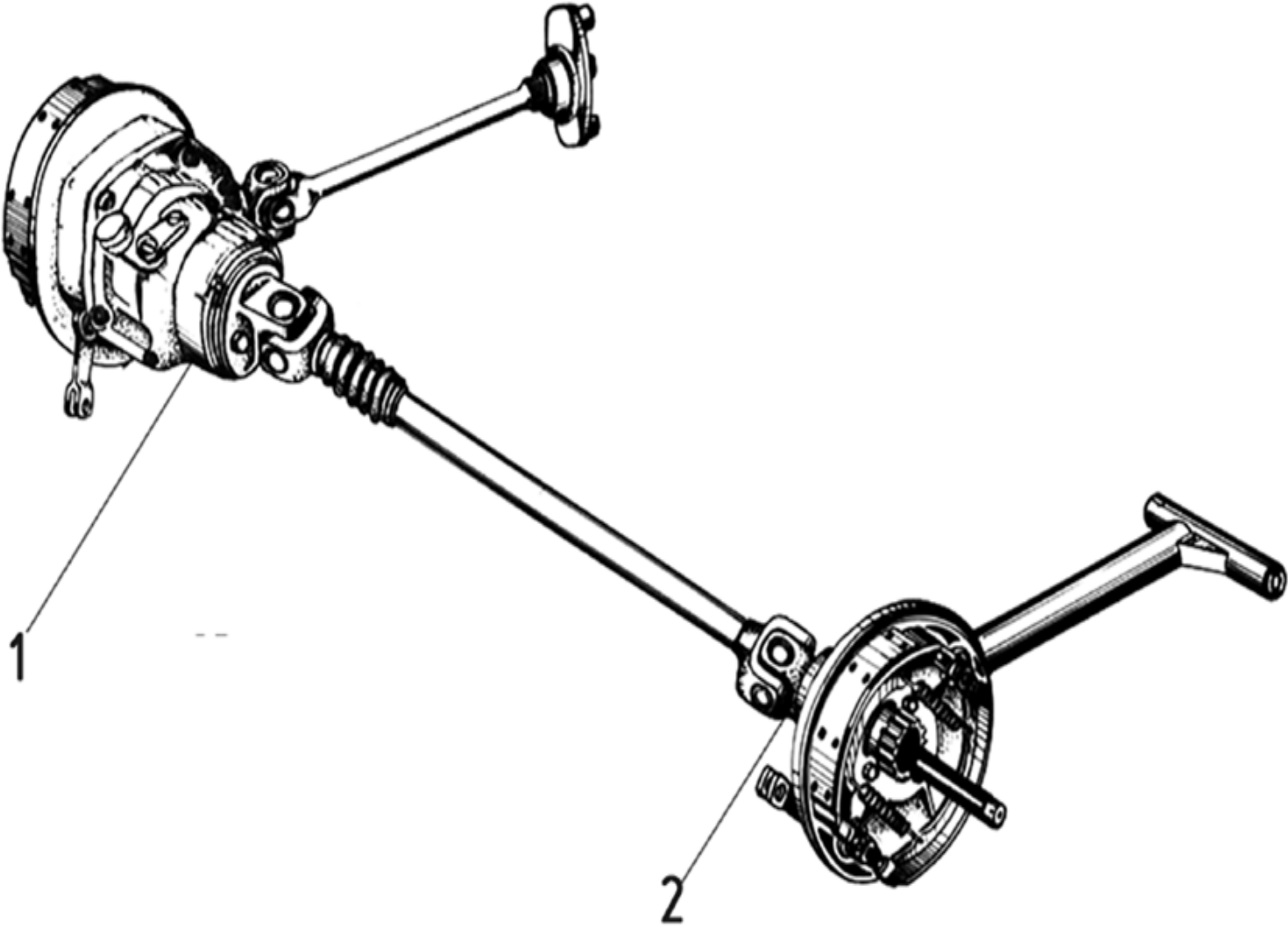


Fig.17

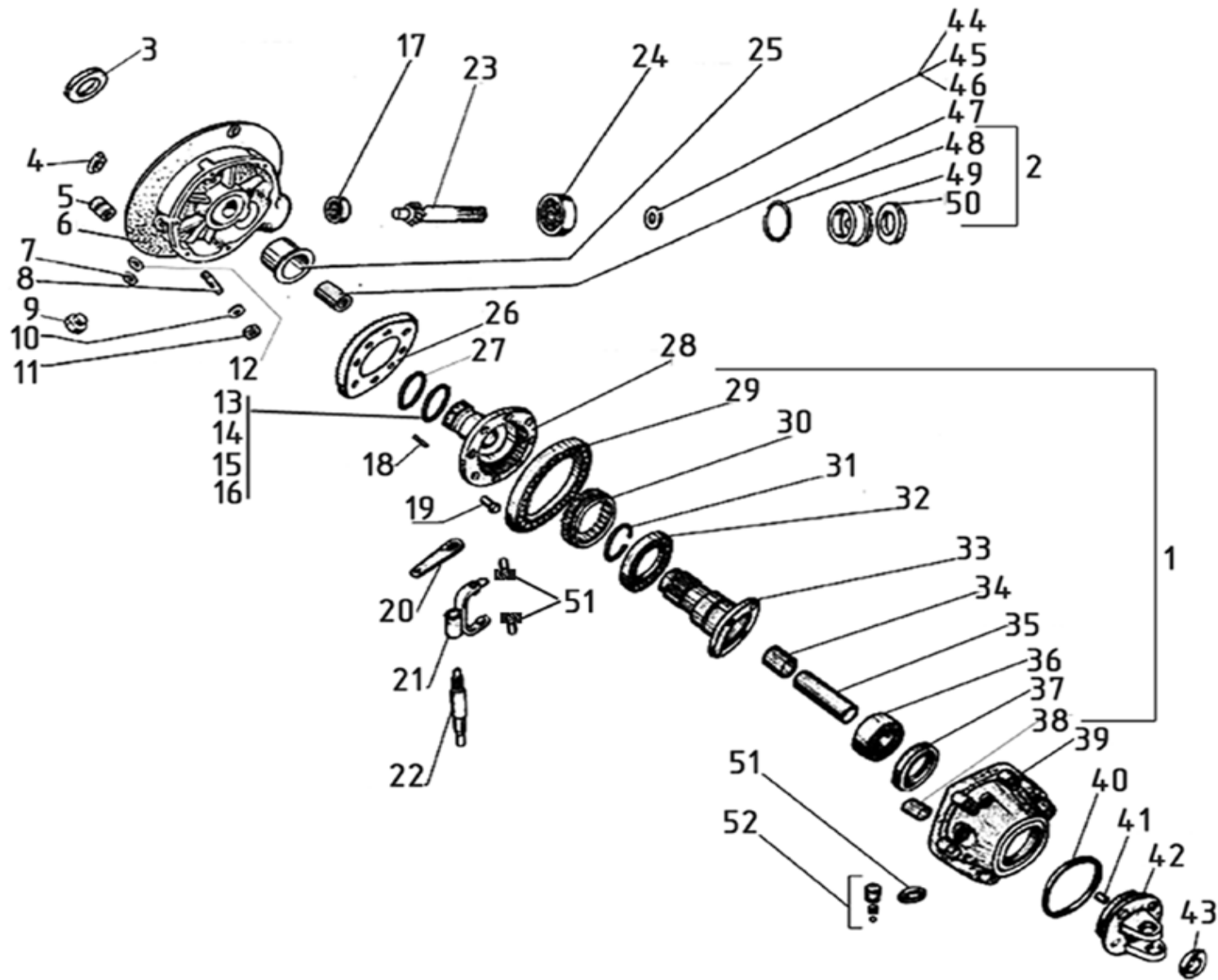


Fig.18

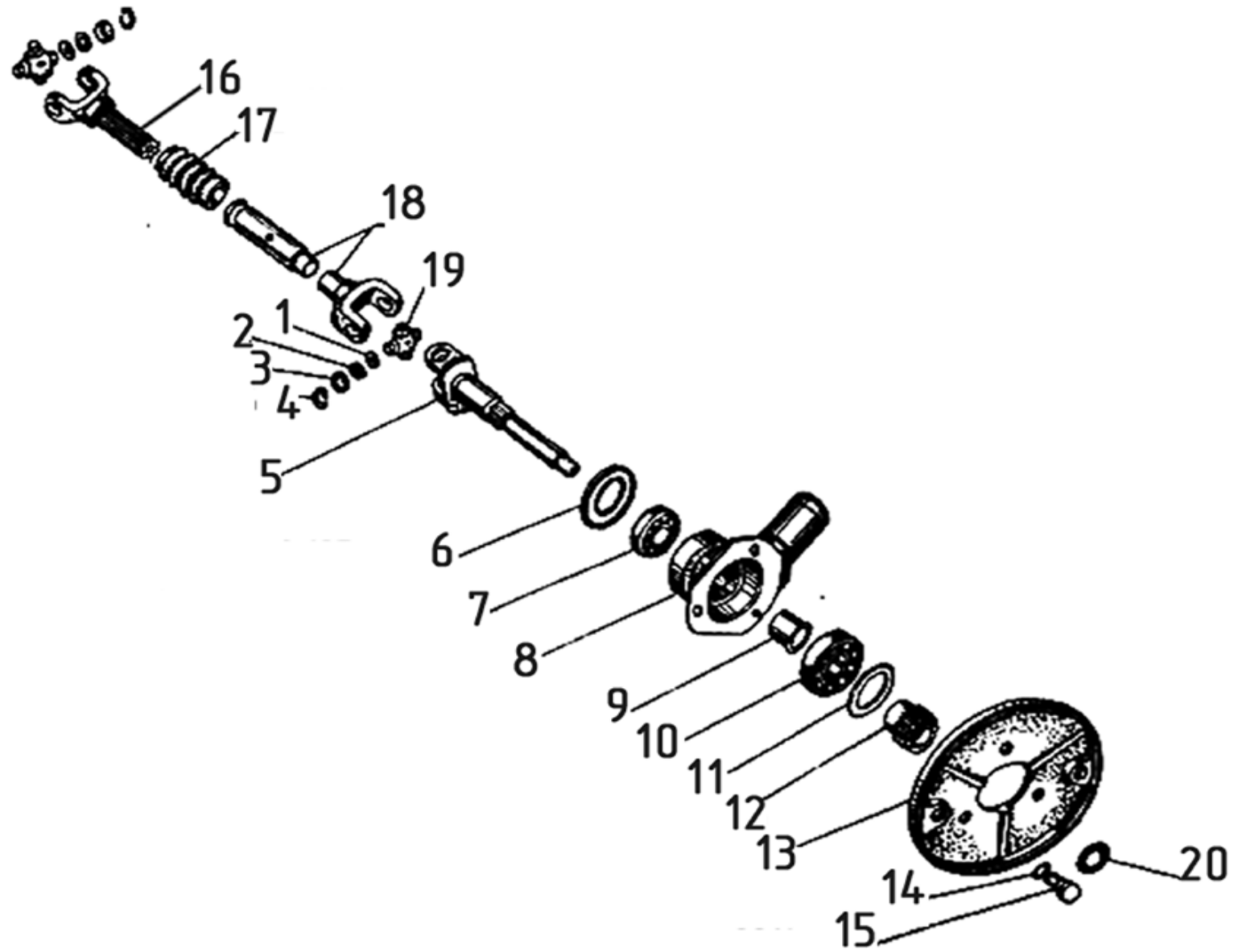


Fig.19

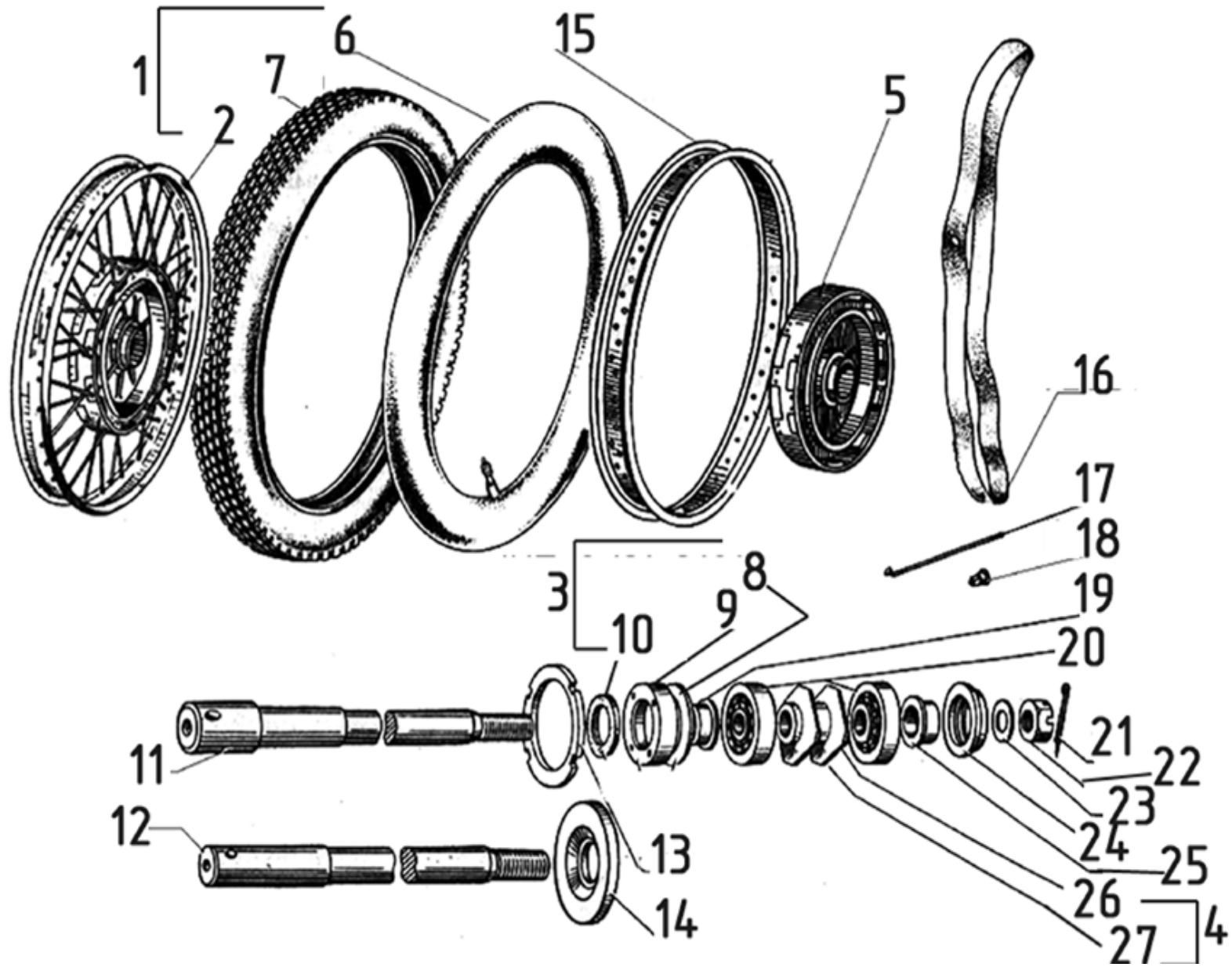


Fig.19A

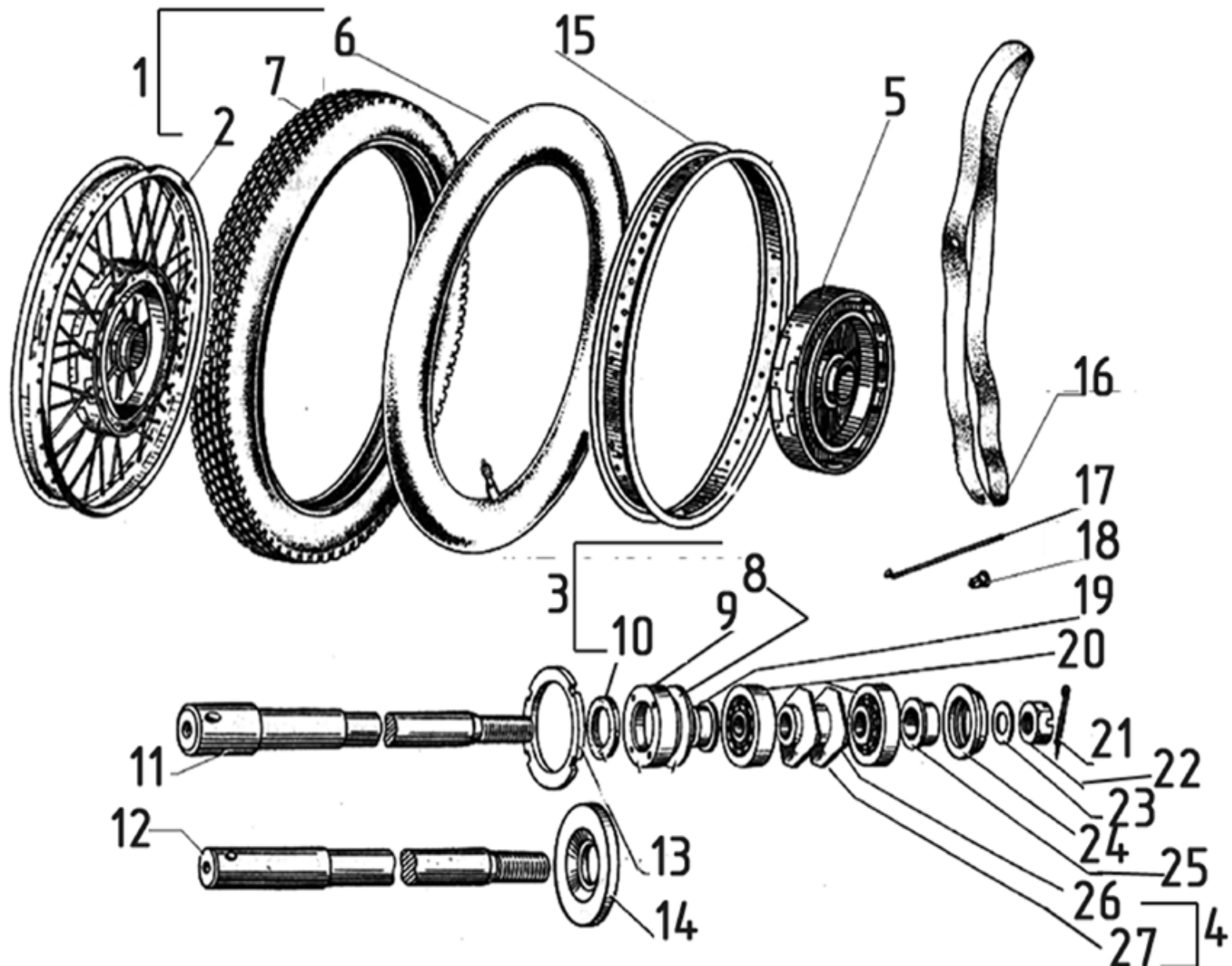


Fig.20

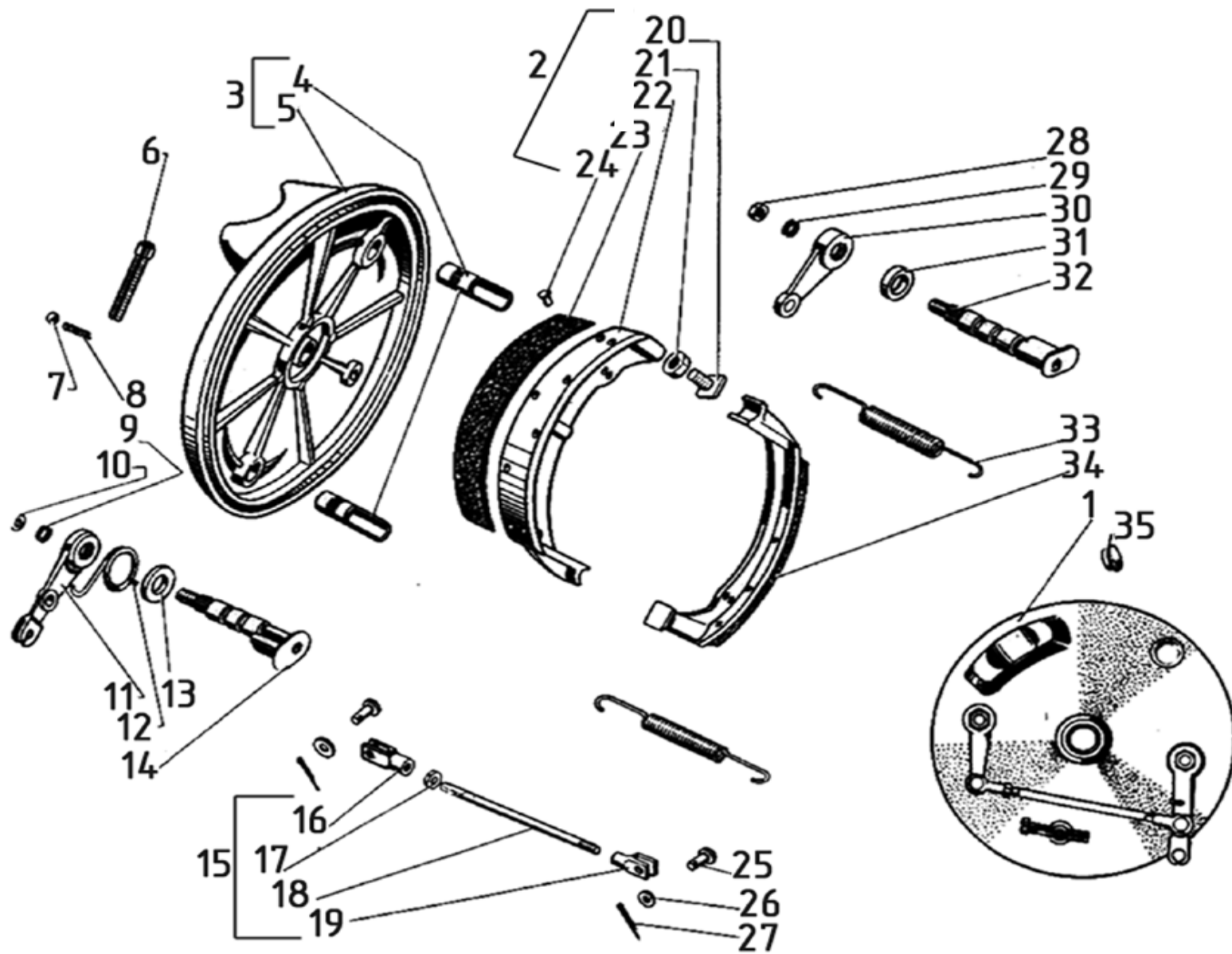


Fig.21

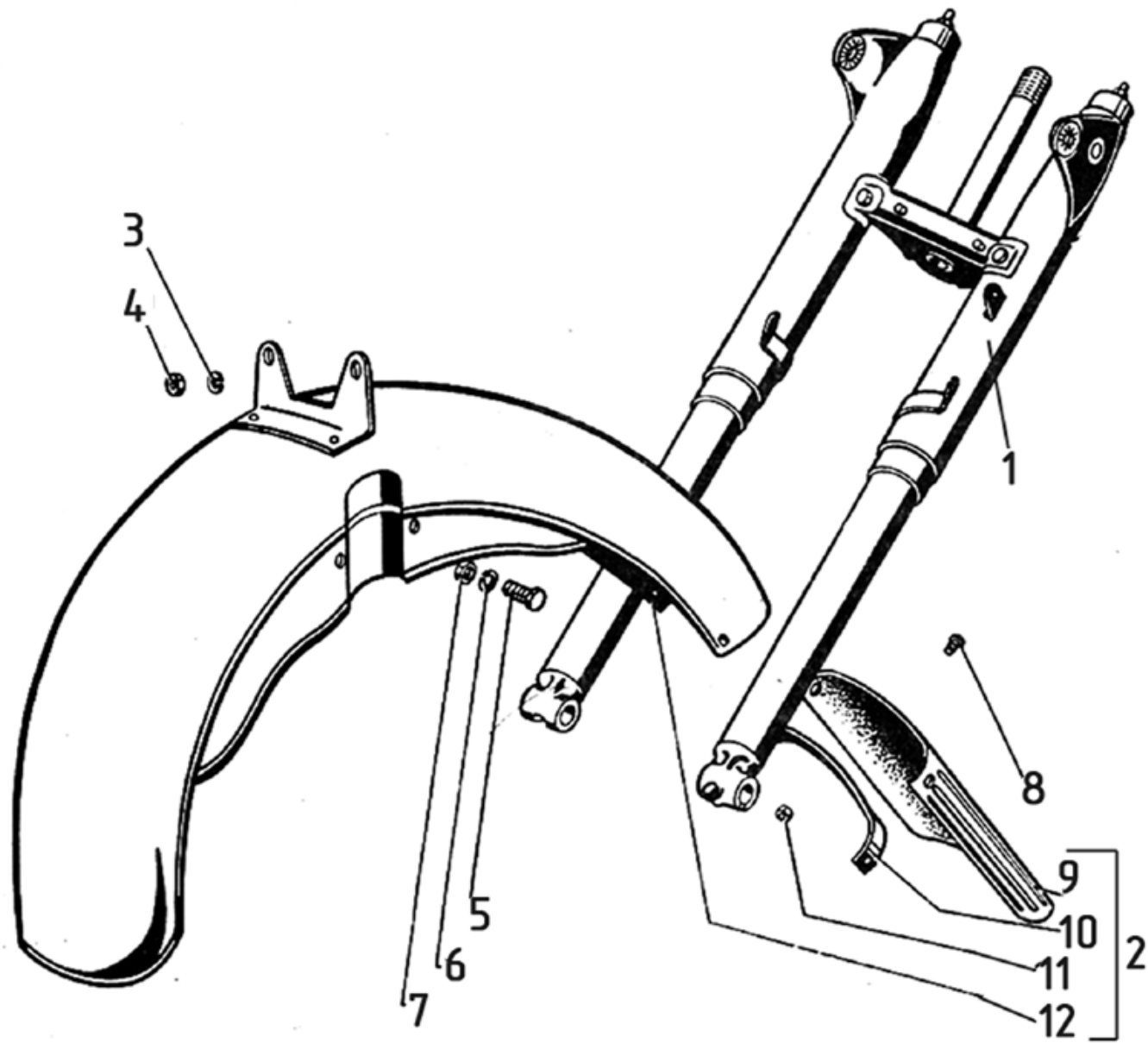


Fig.22

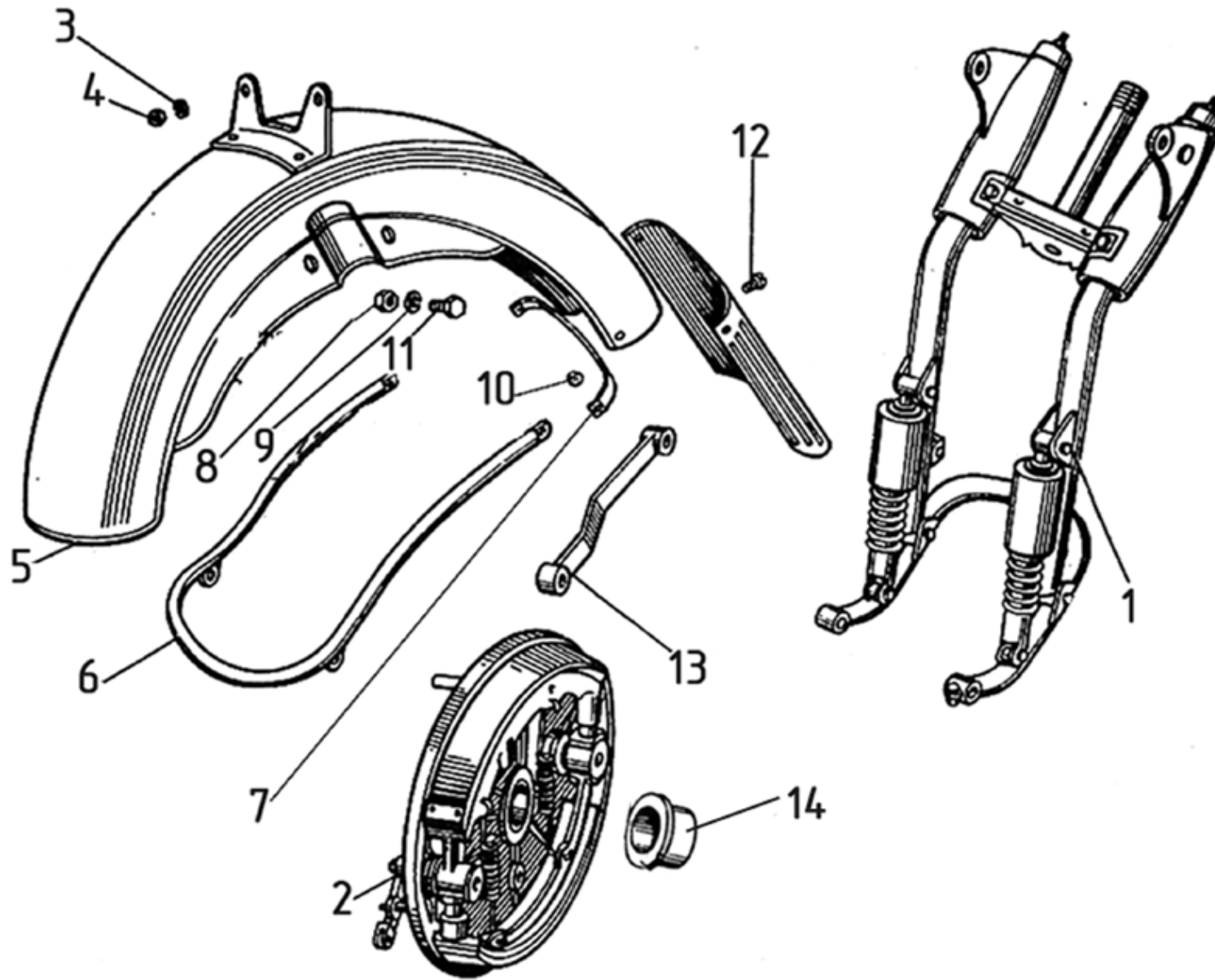




Fig.23

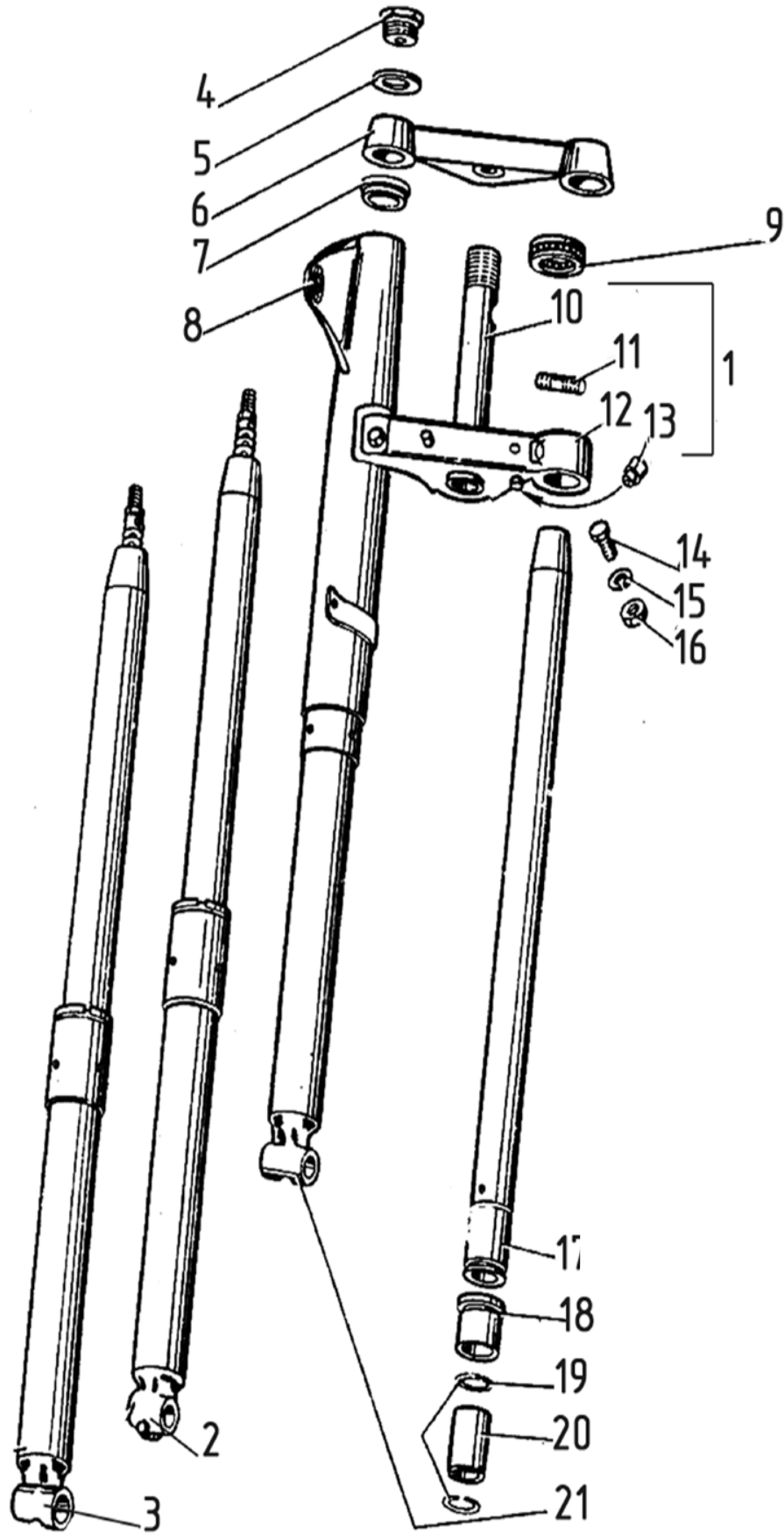




Fig.24

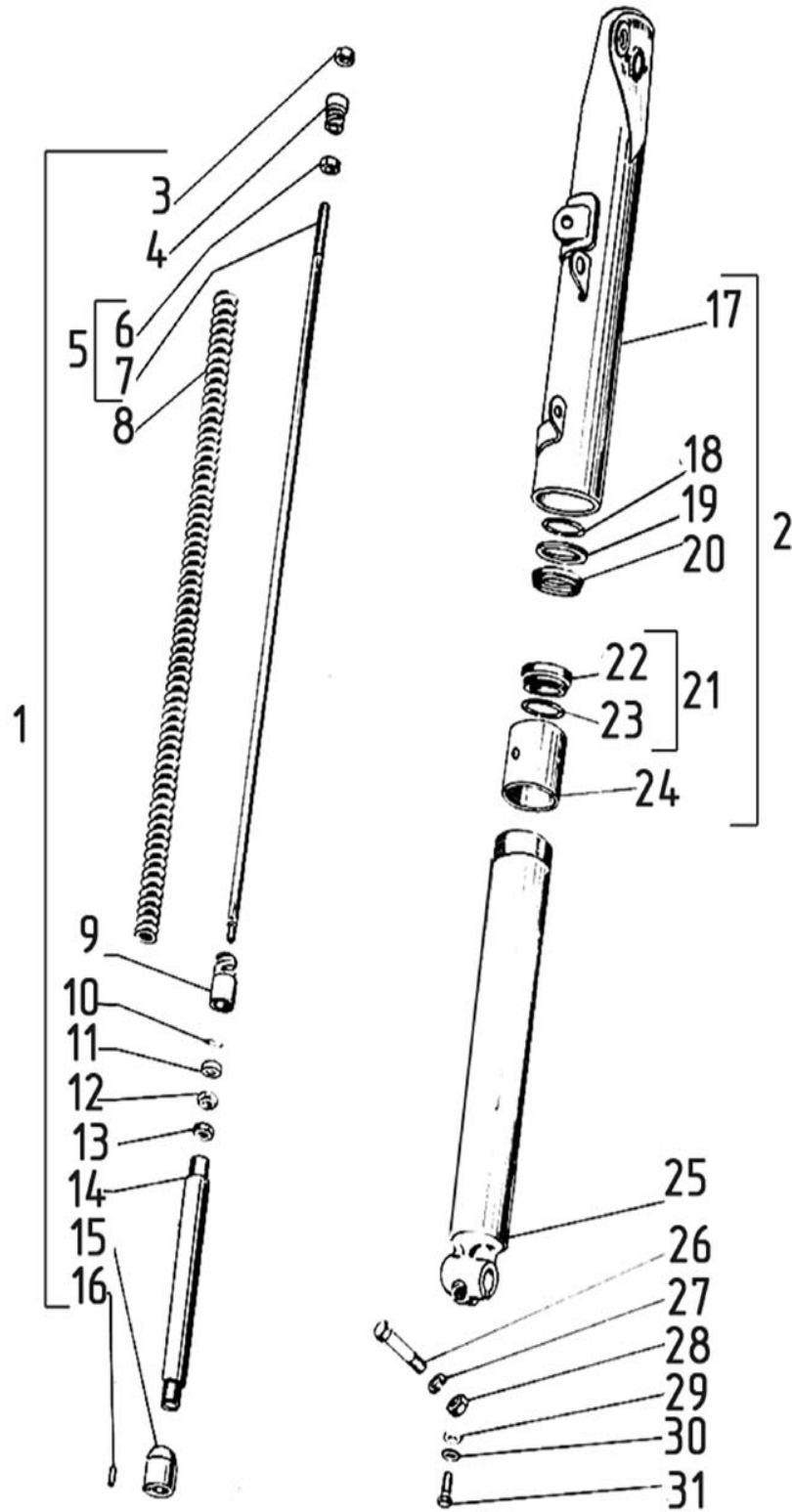




Fig.25

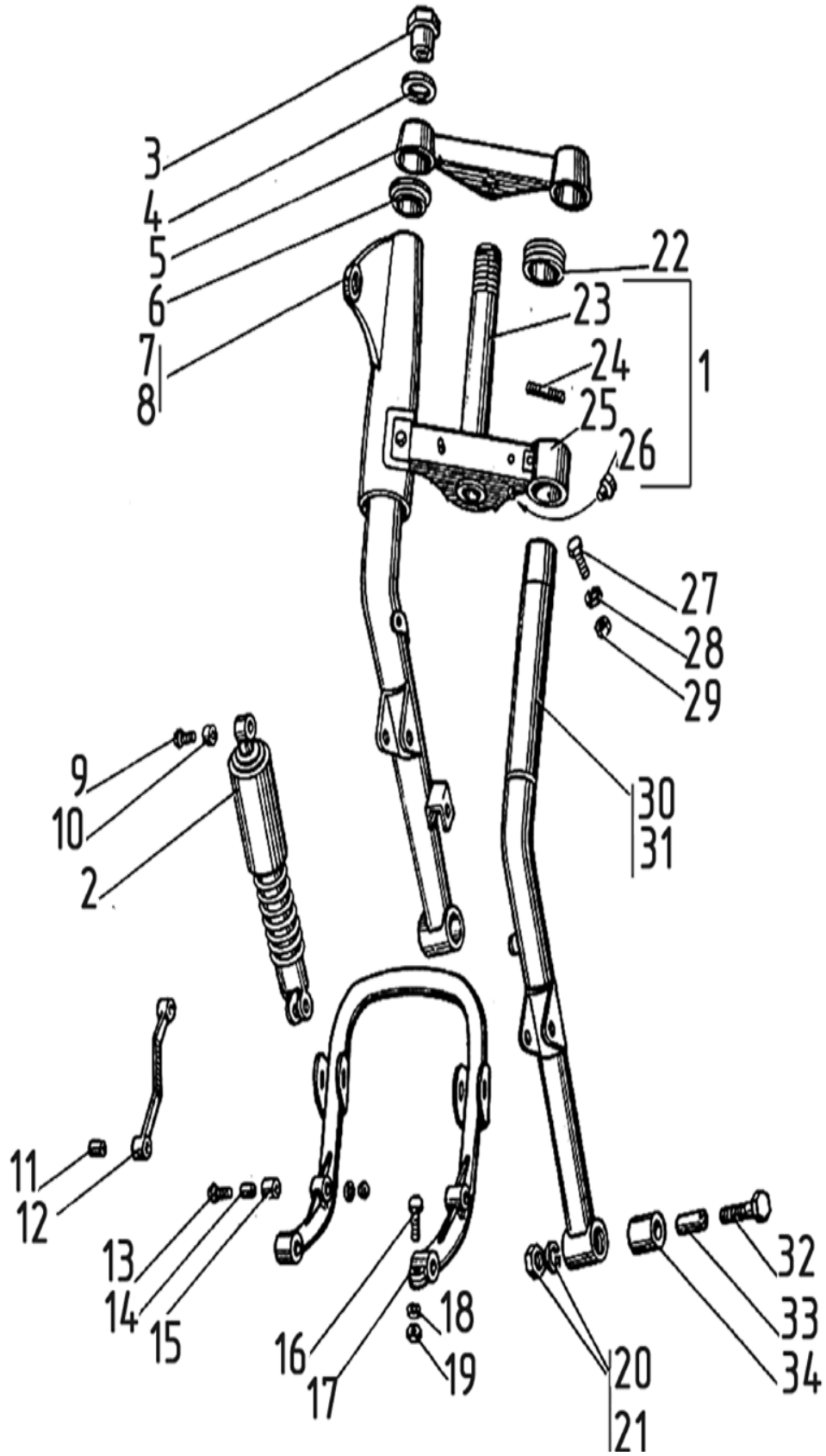




Fig.26

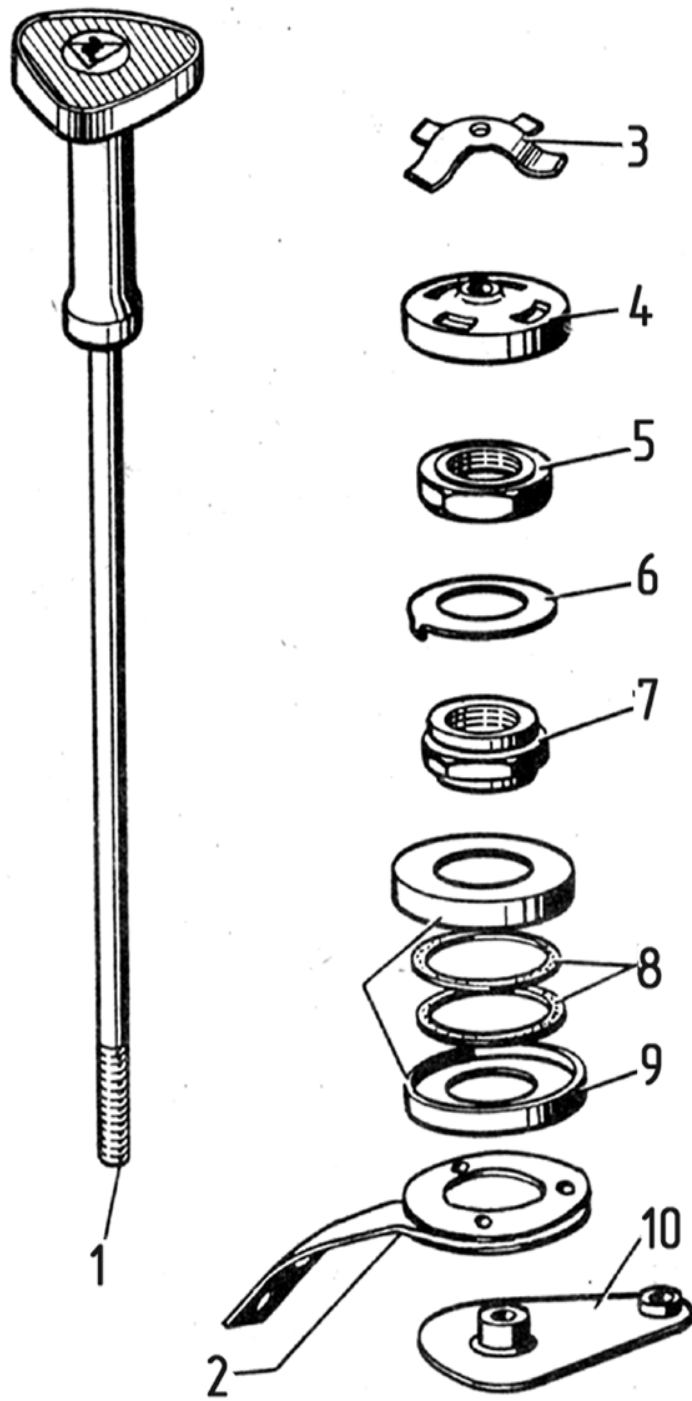


Fig.27

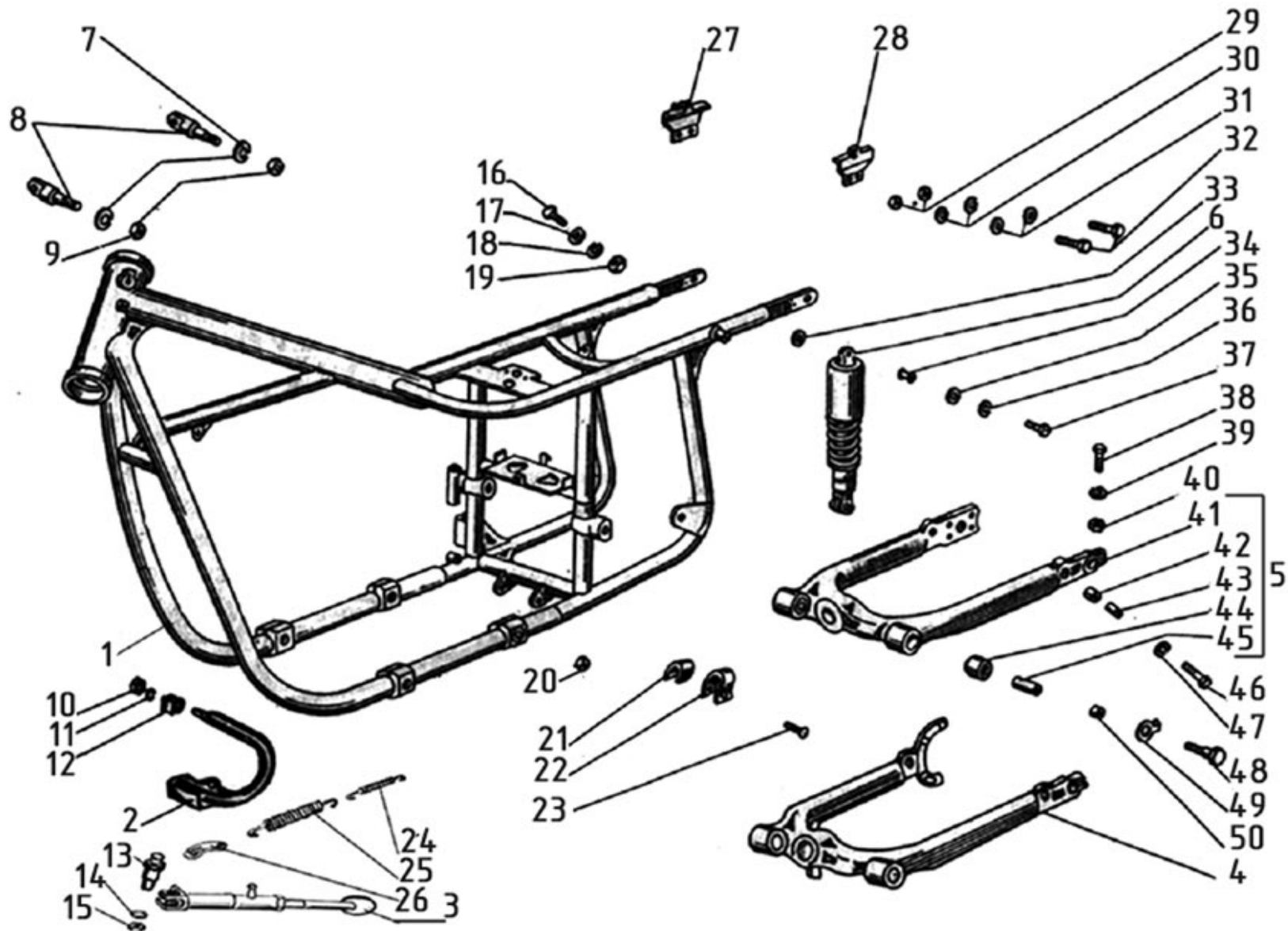


Fig.28

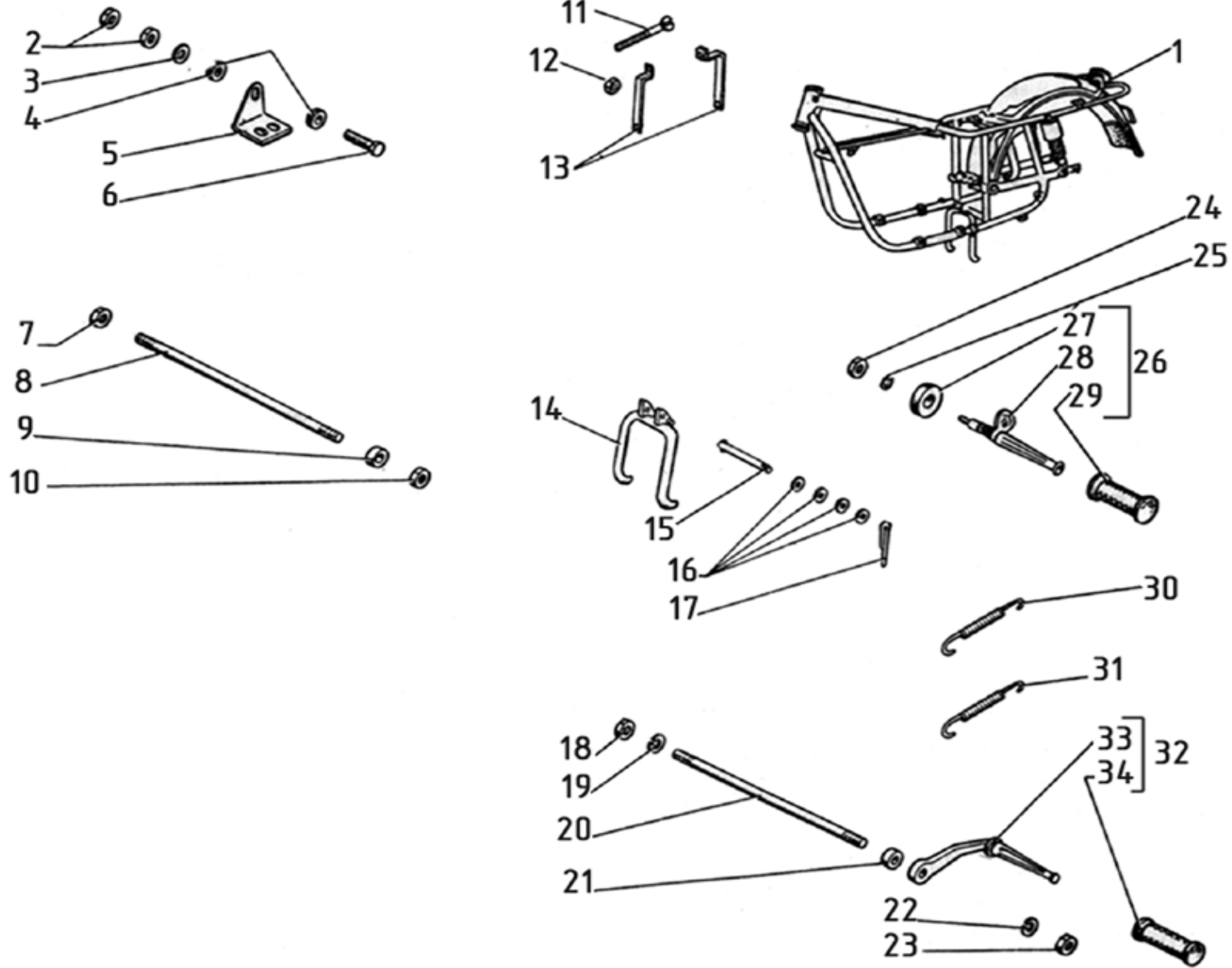


Fig.29

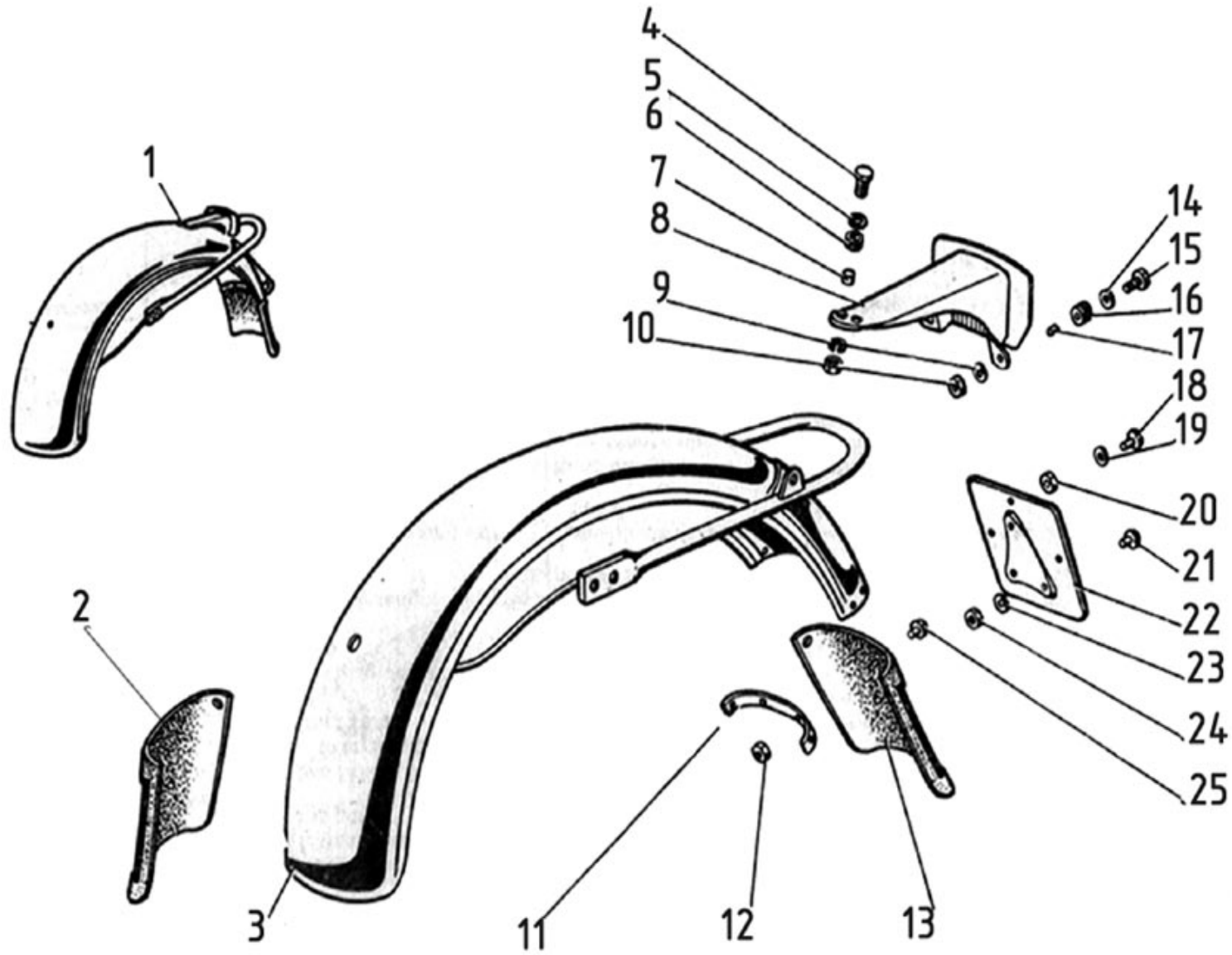


Fig.30

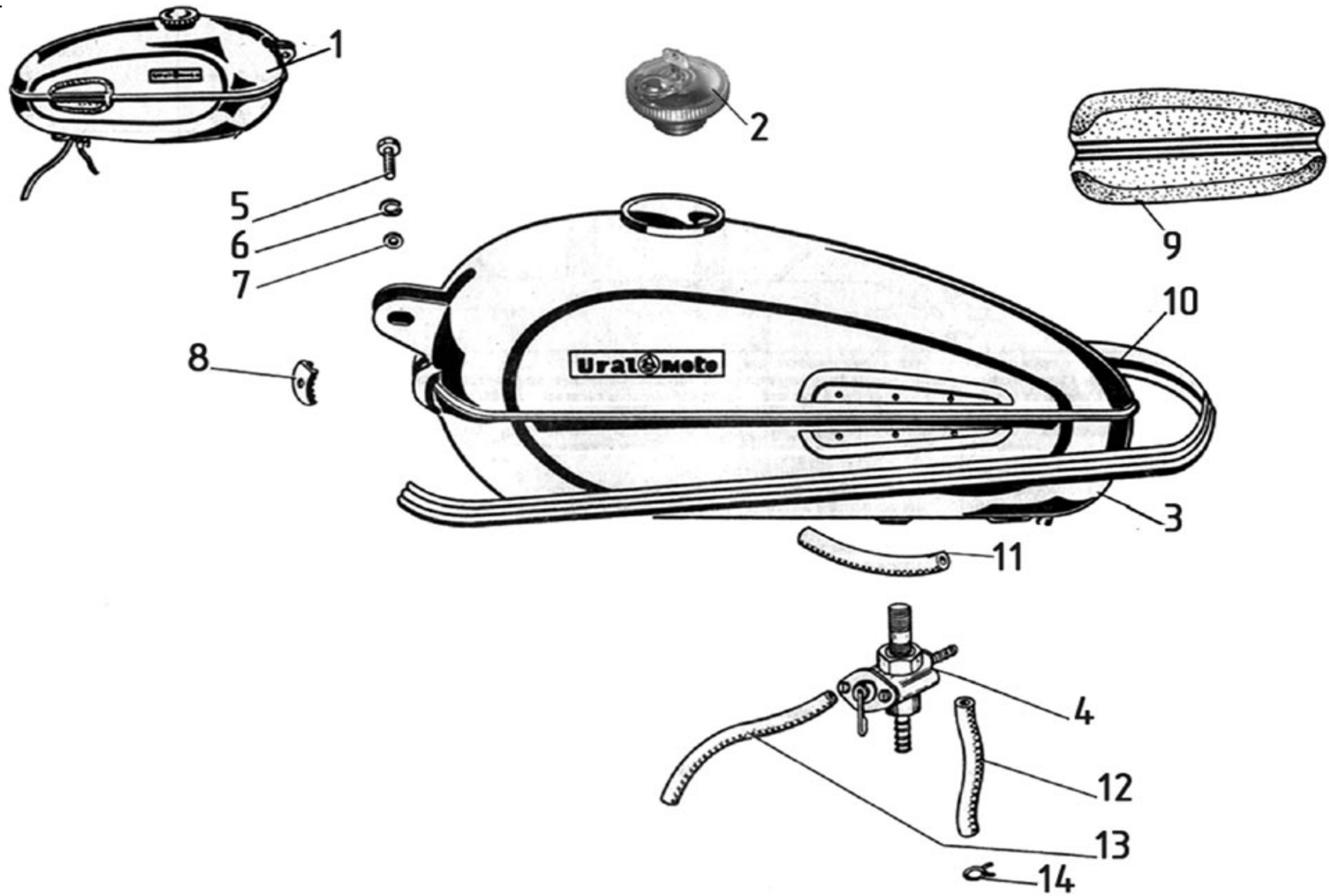


Fig.31

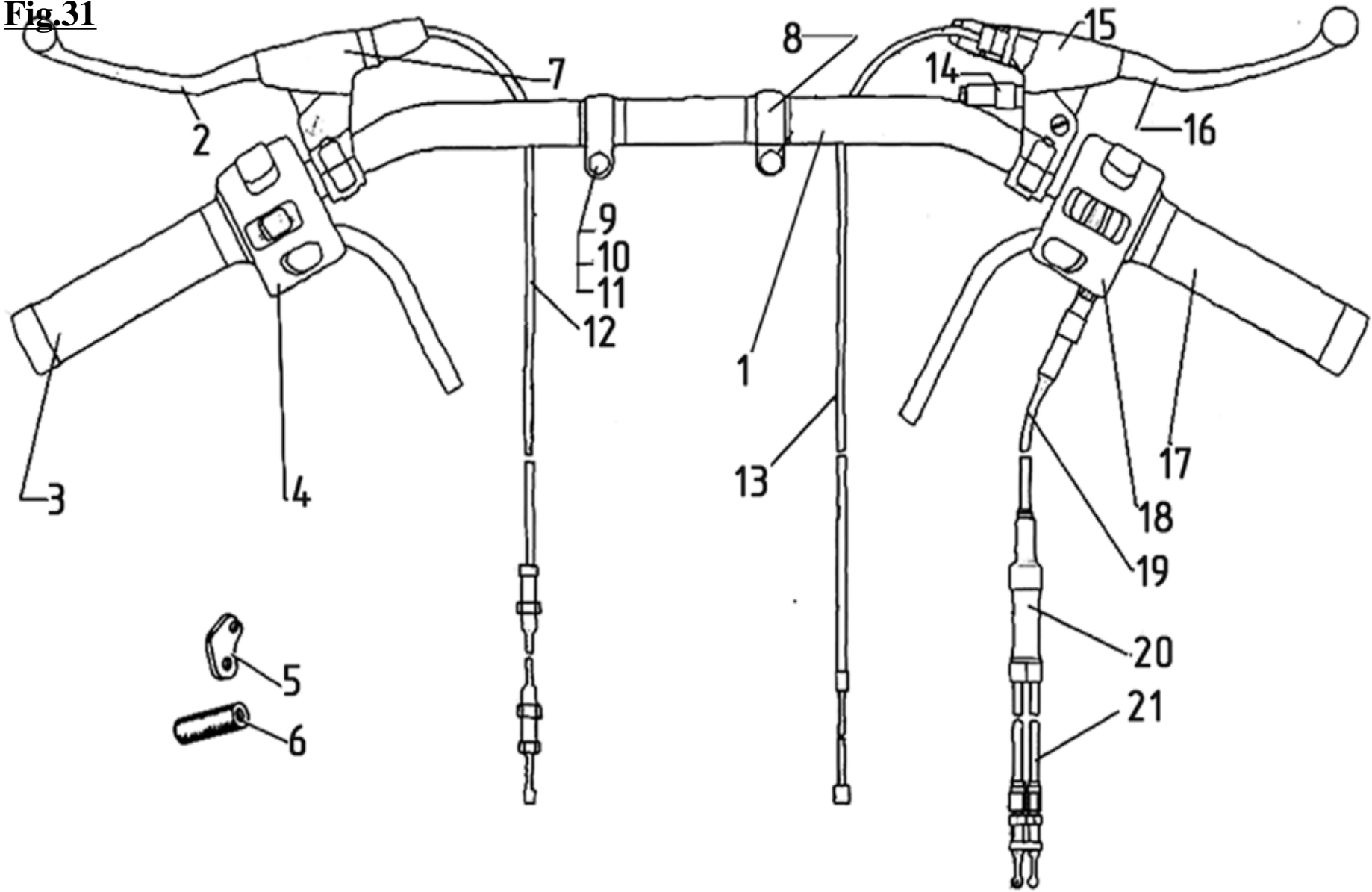


Fig.32

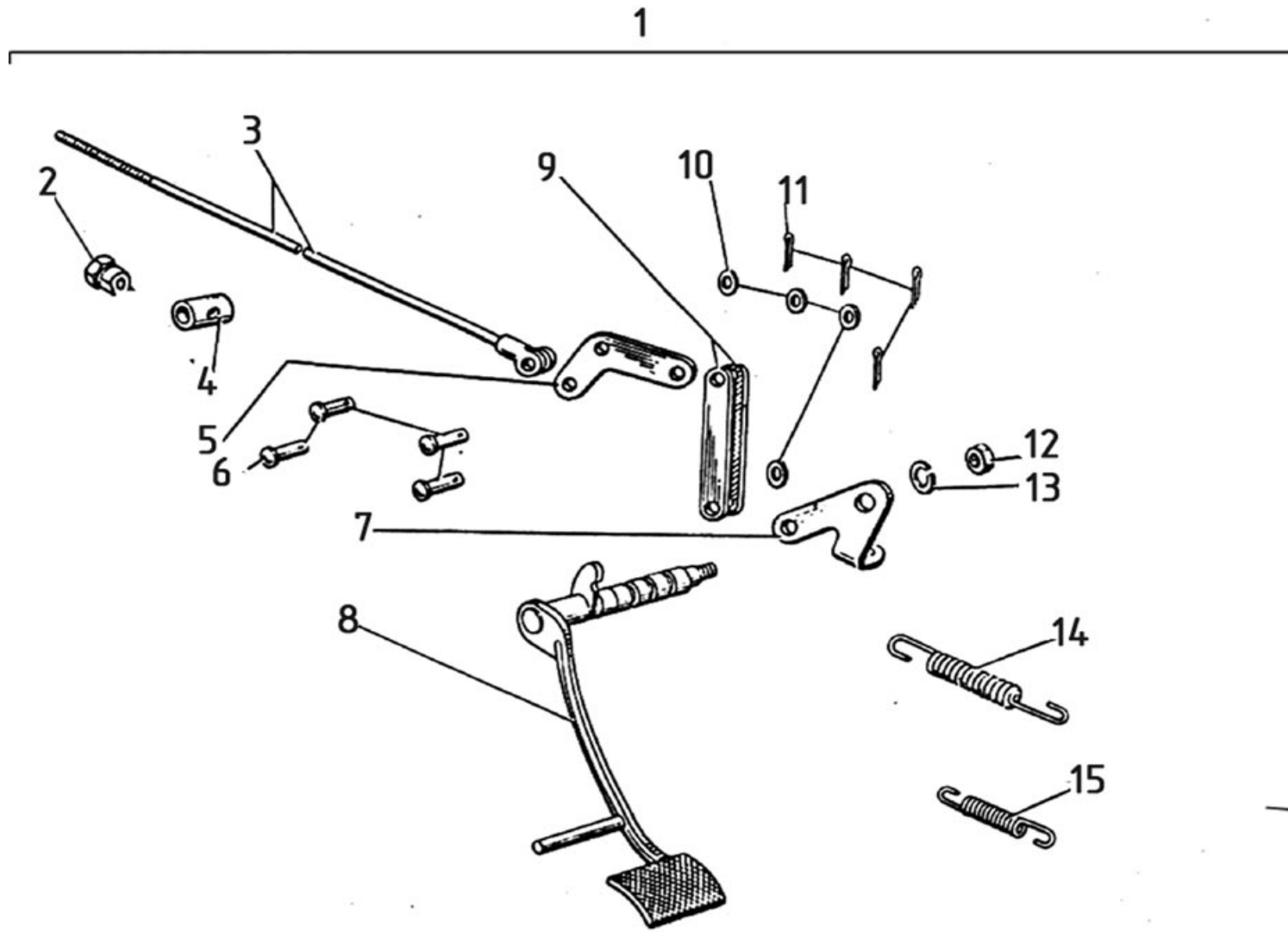


Fig.33

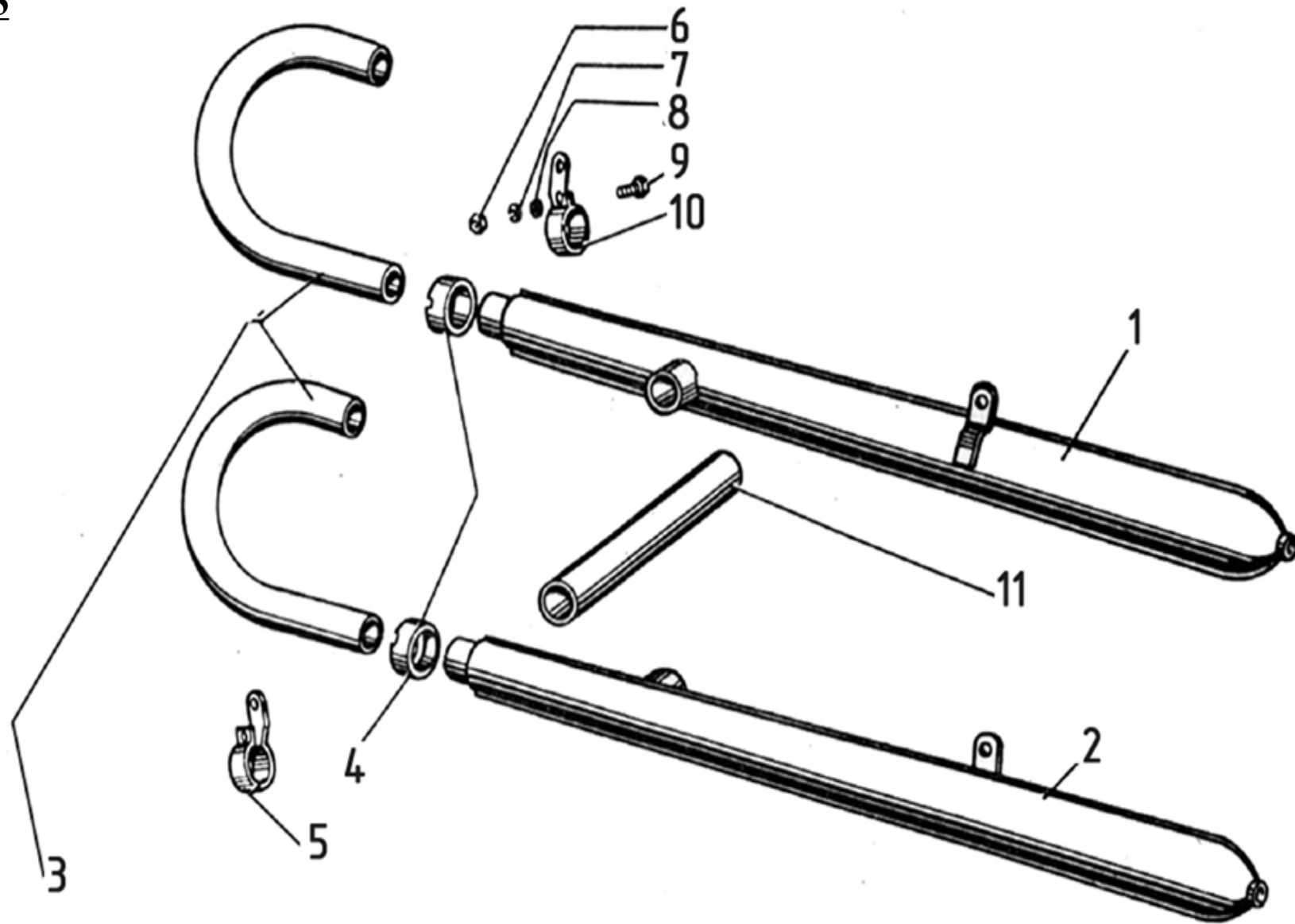


Fig.34

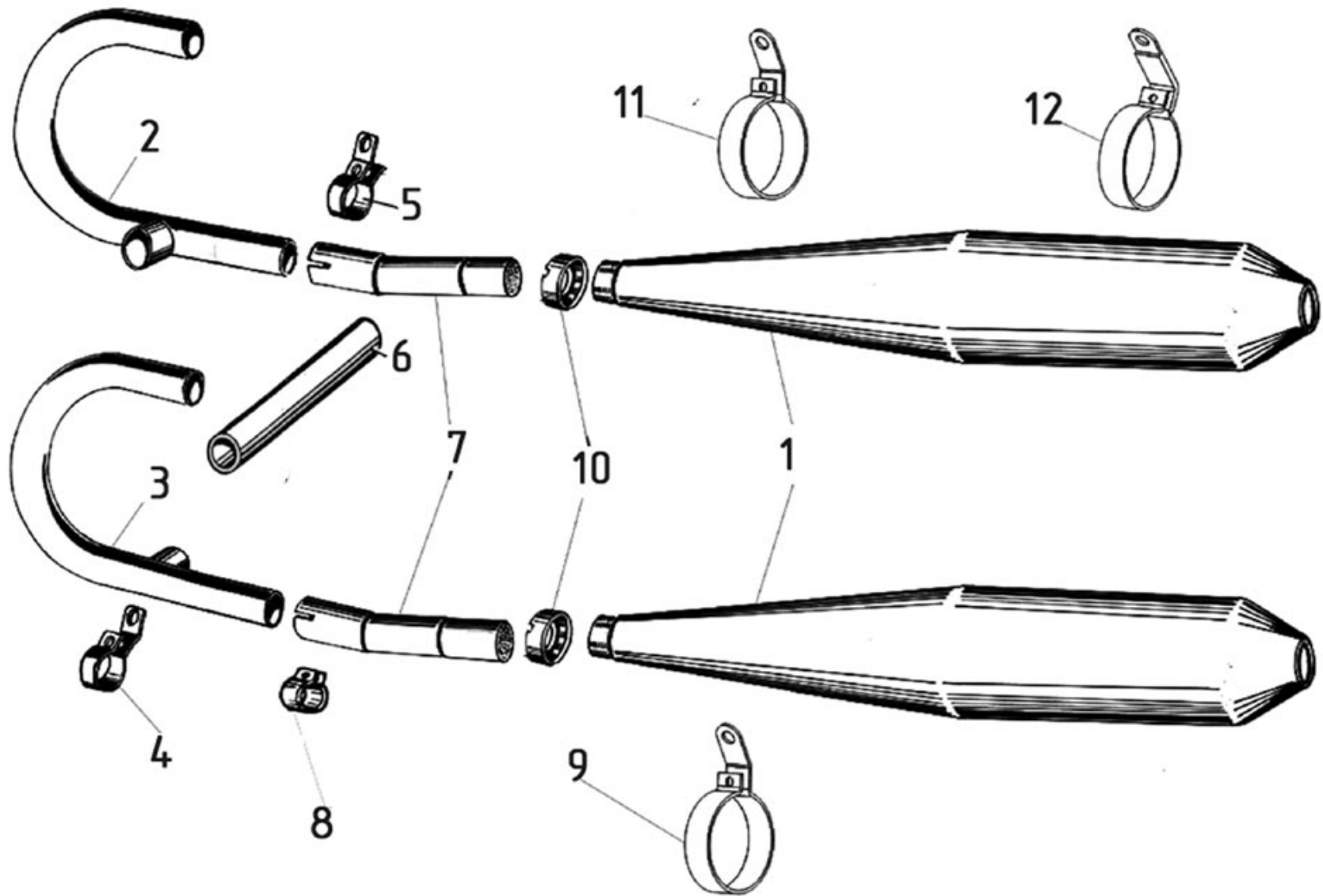


Fig.35

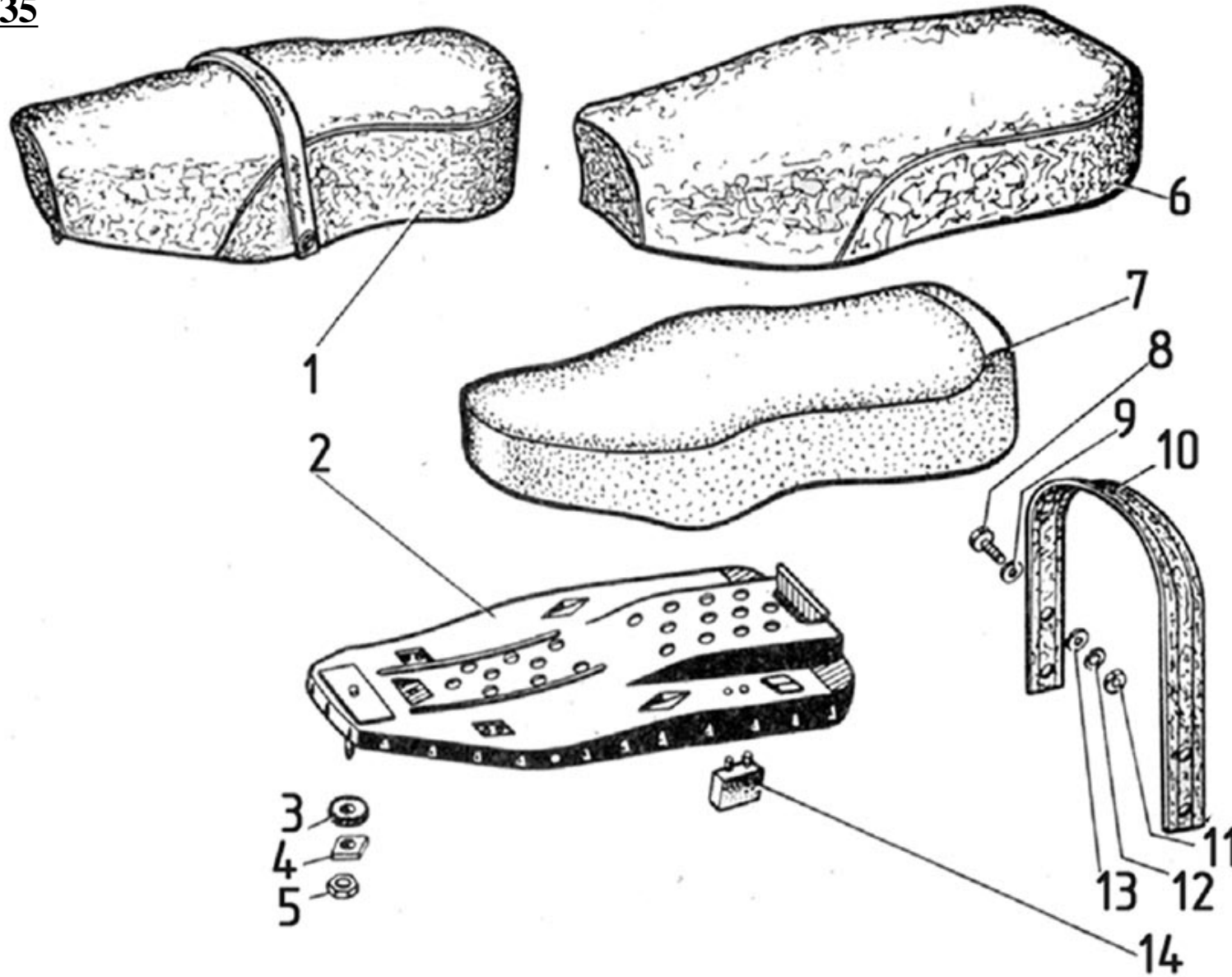


Fig36

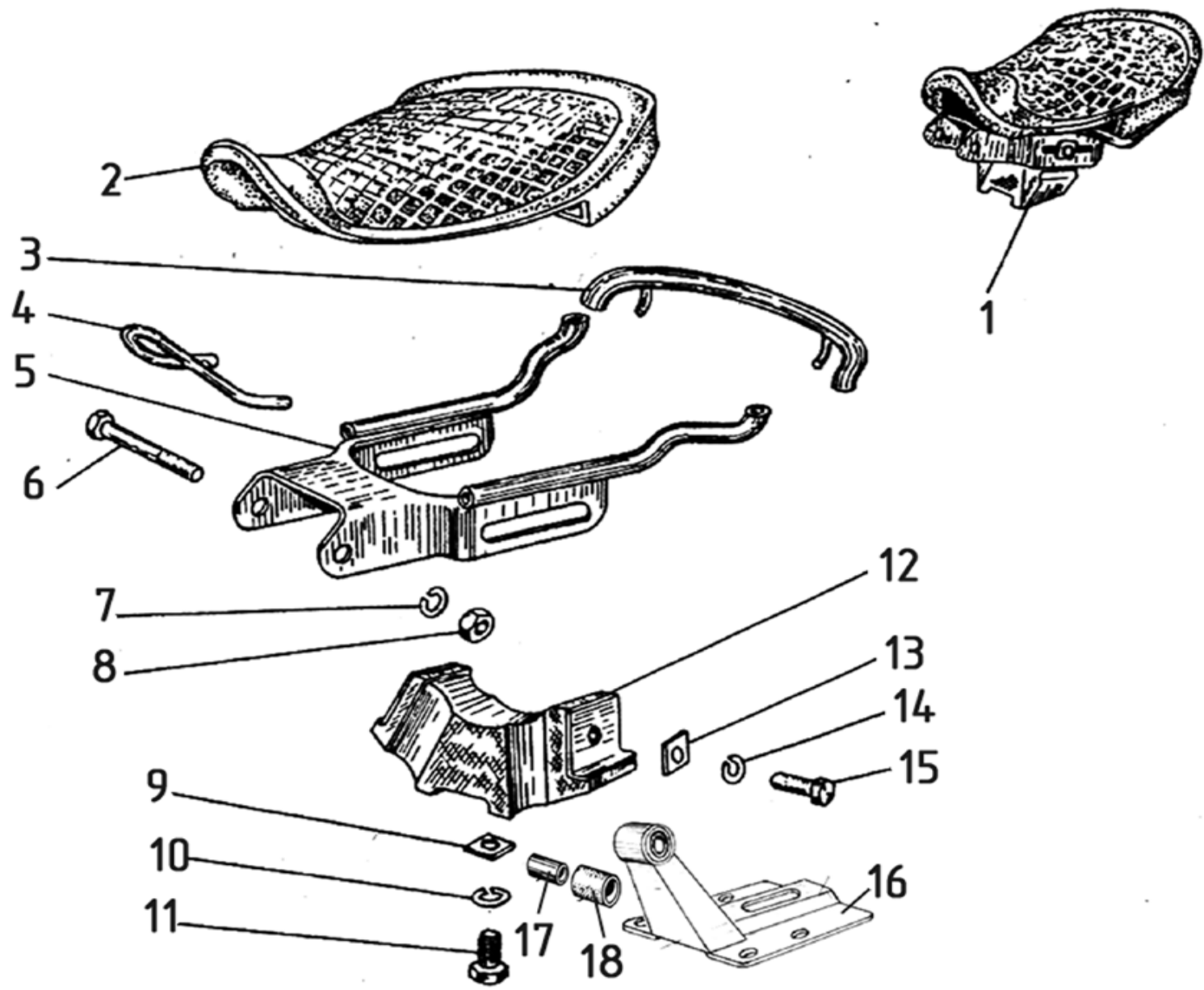


Fig37

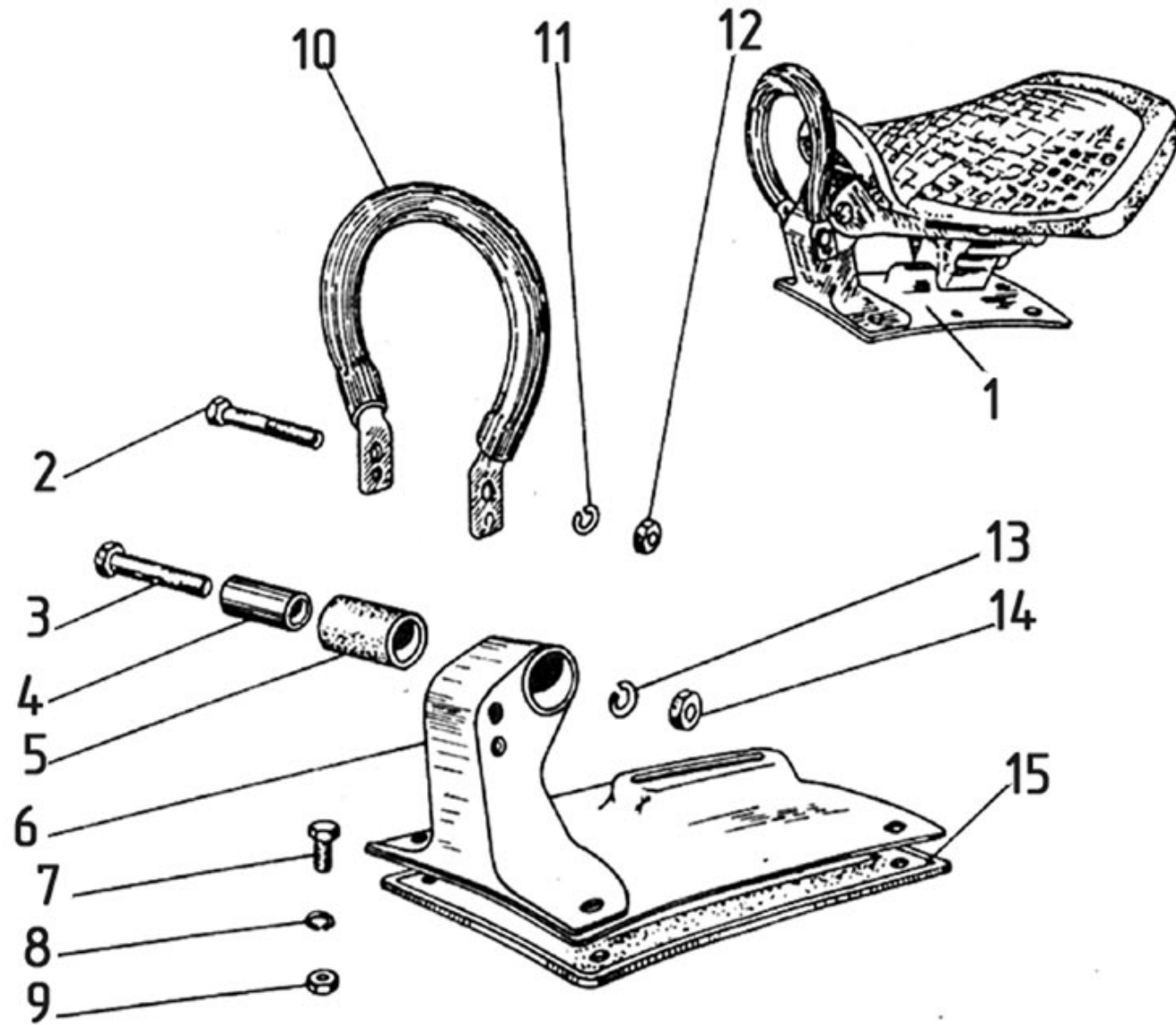


Fig.38

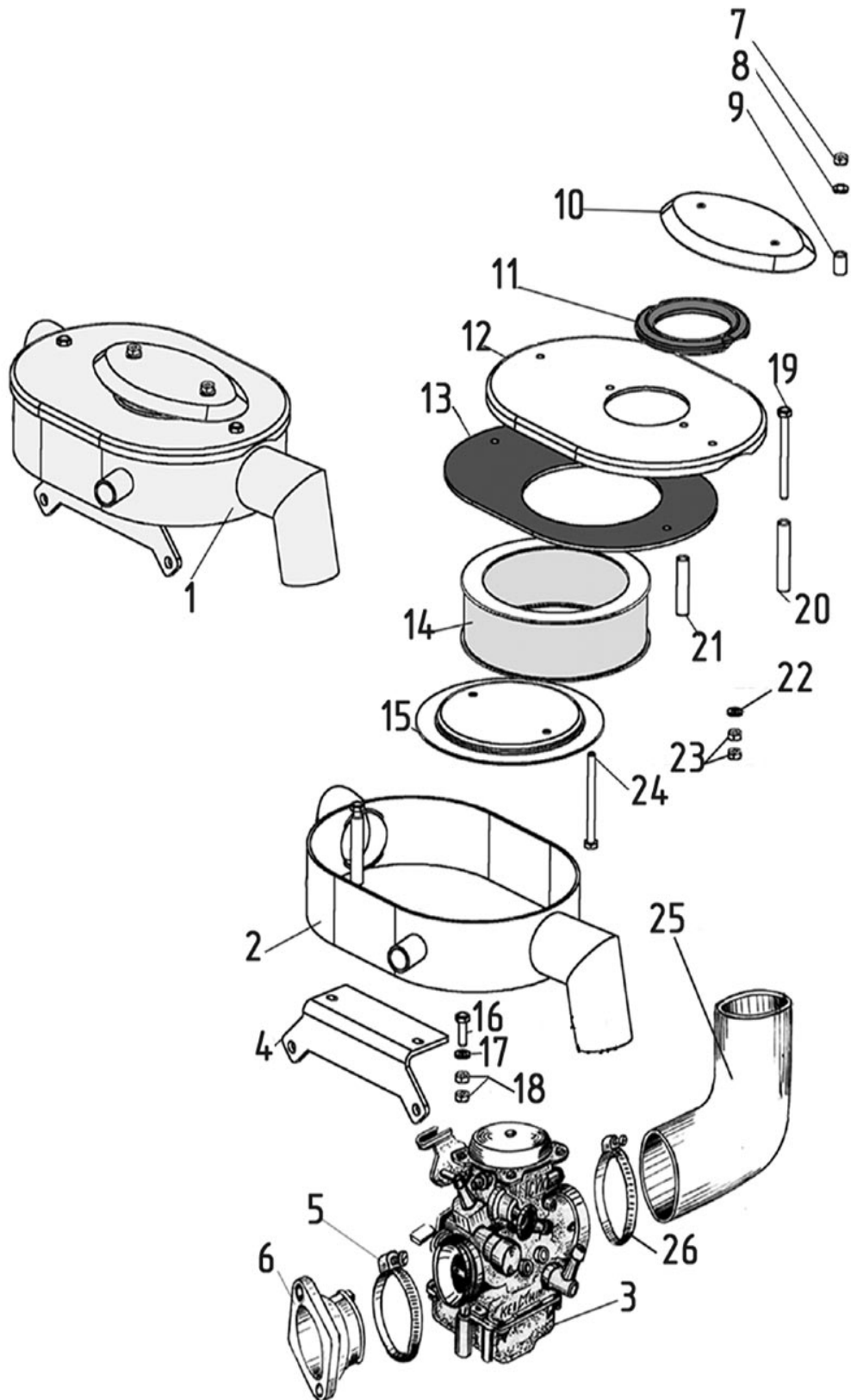


Fig.39

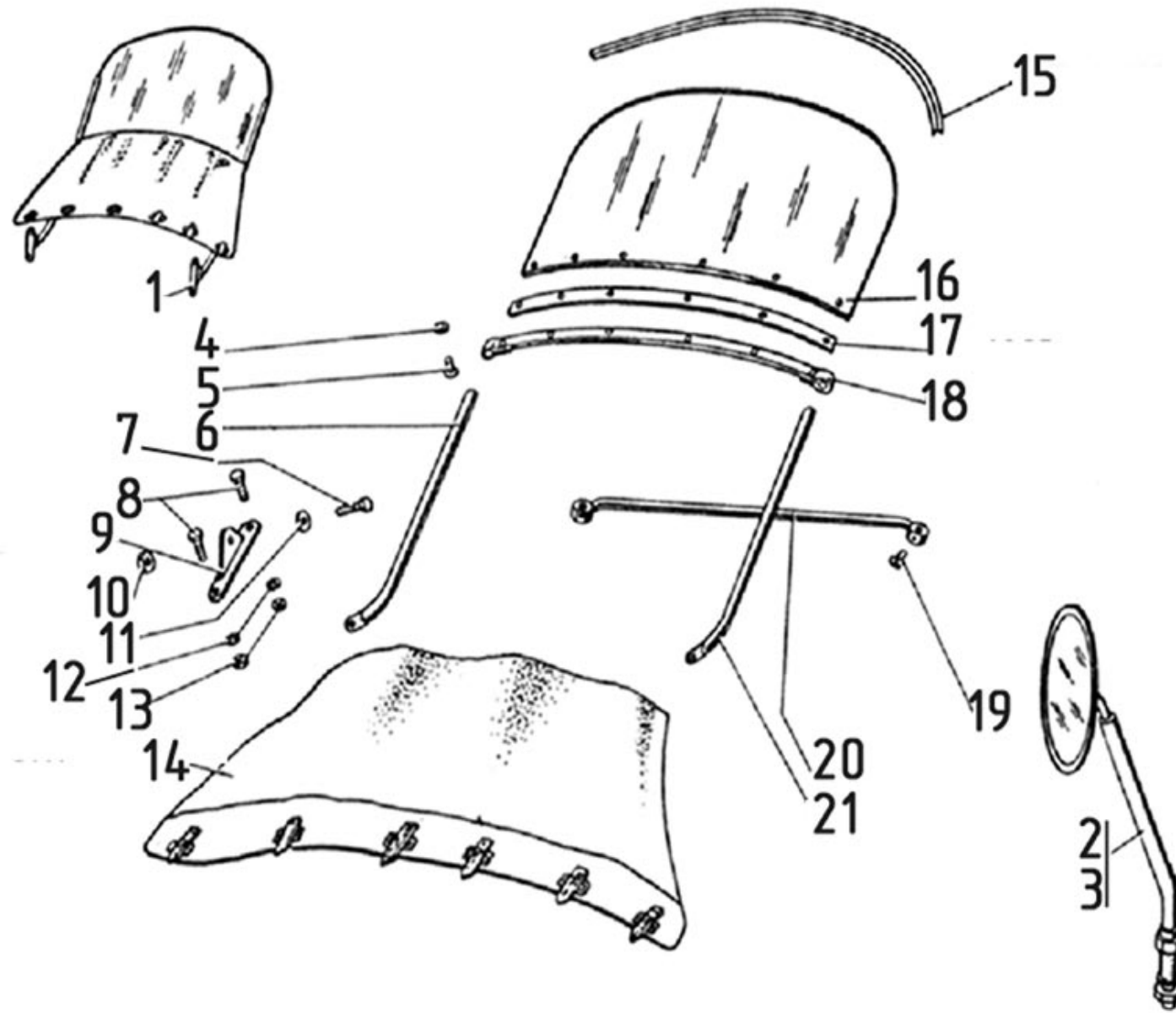


Fig.40

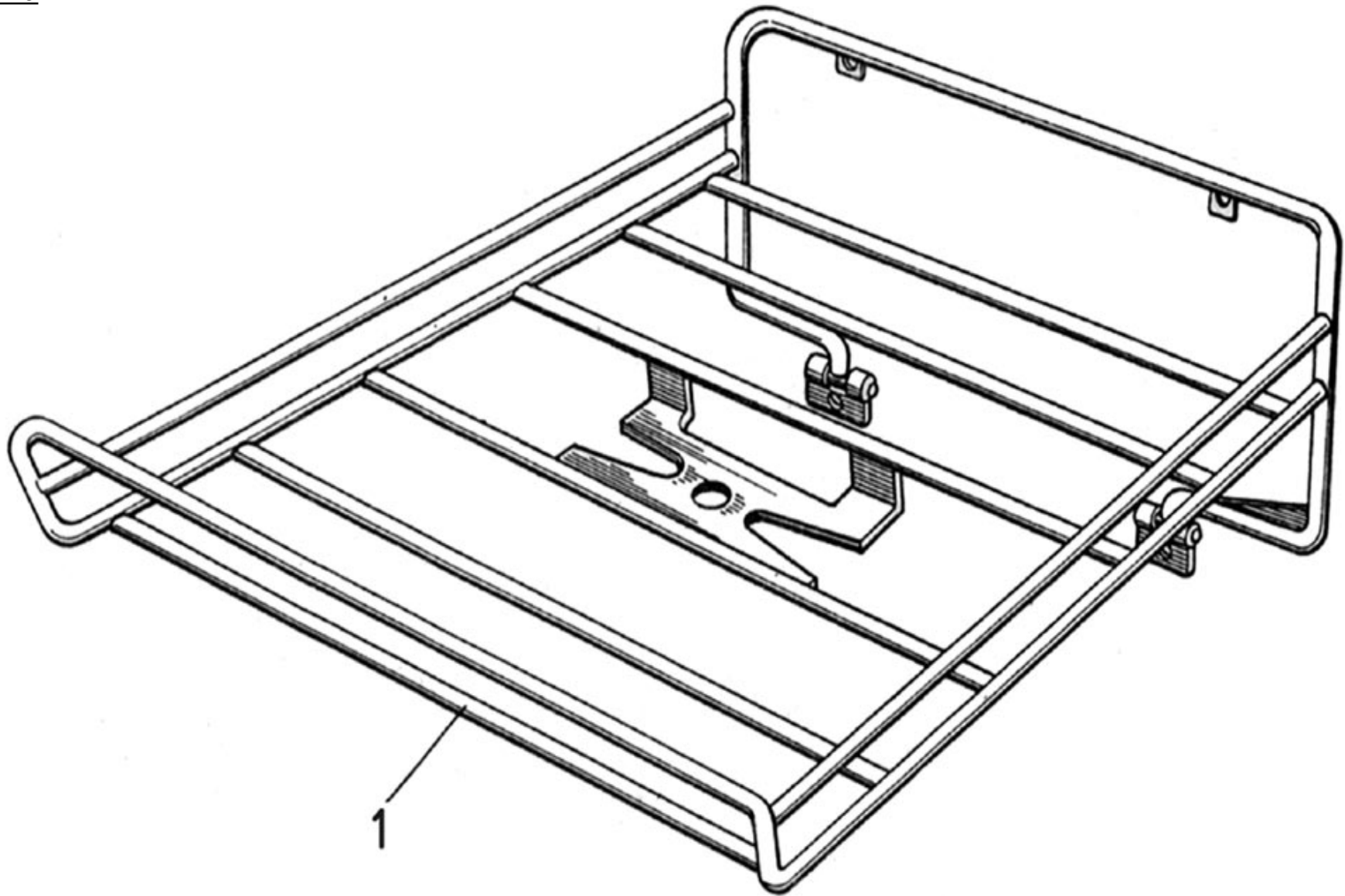


Fig.41

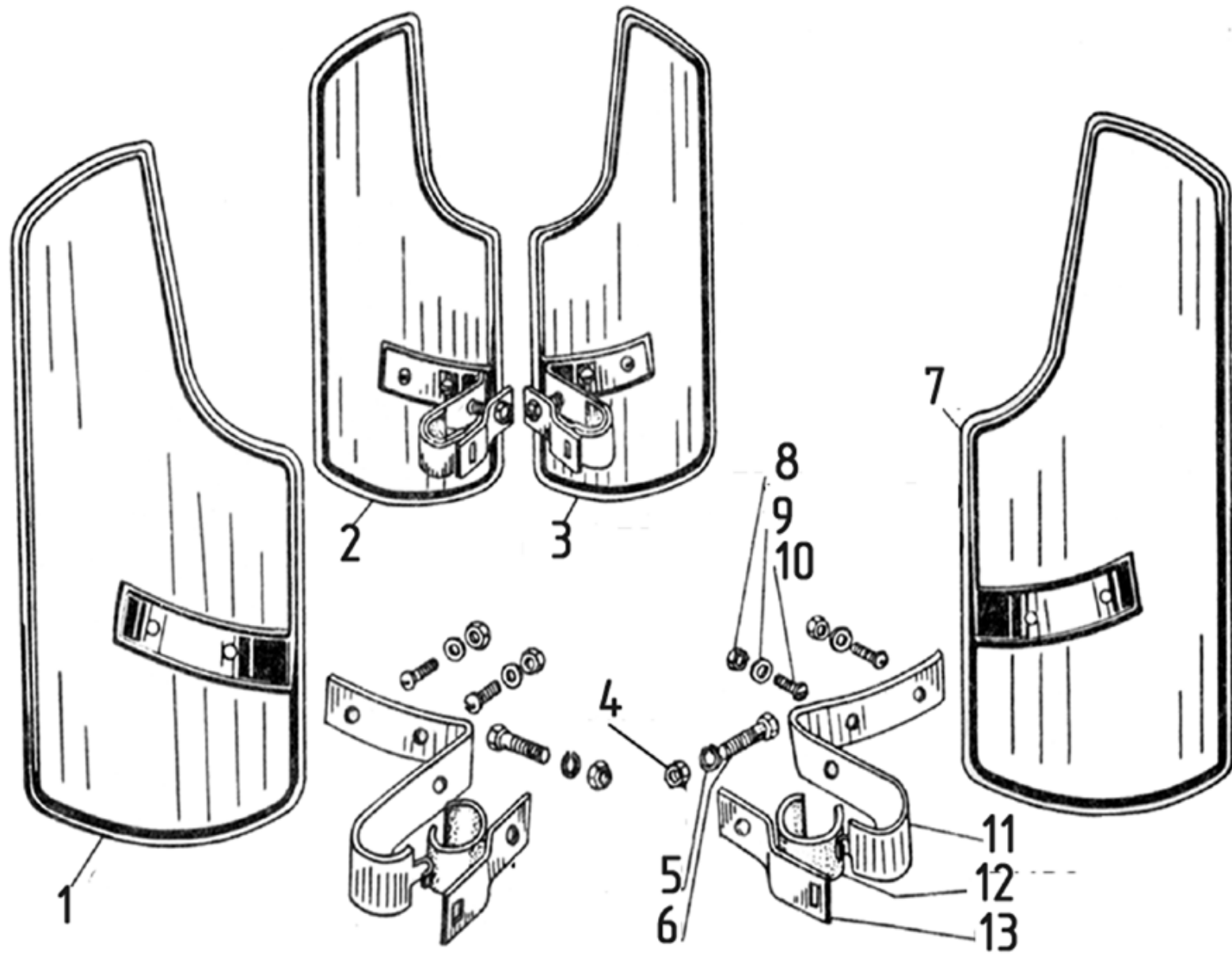


Fig.42

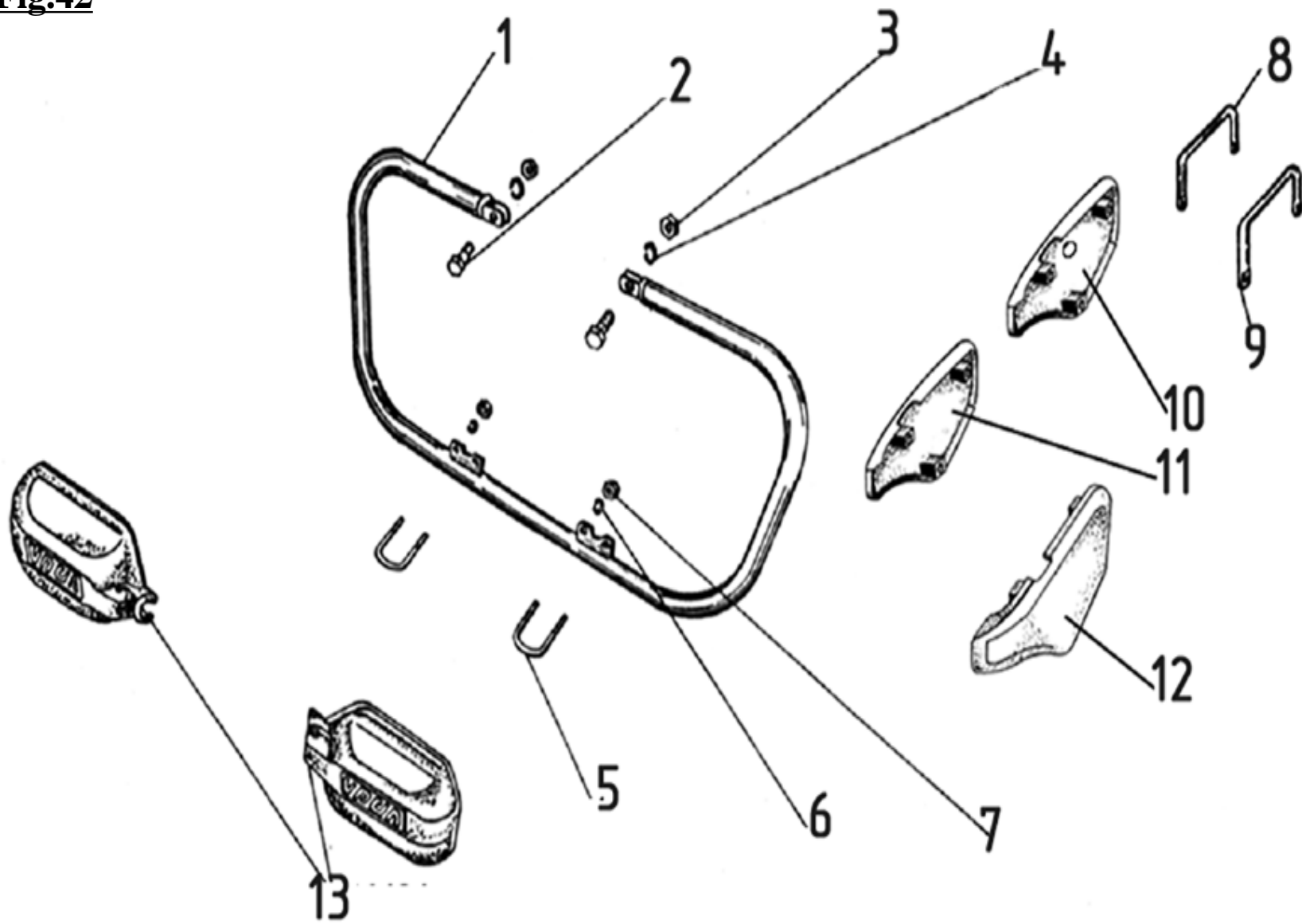


Fig.43

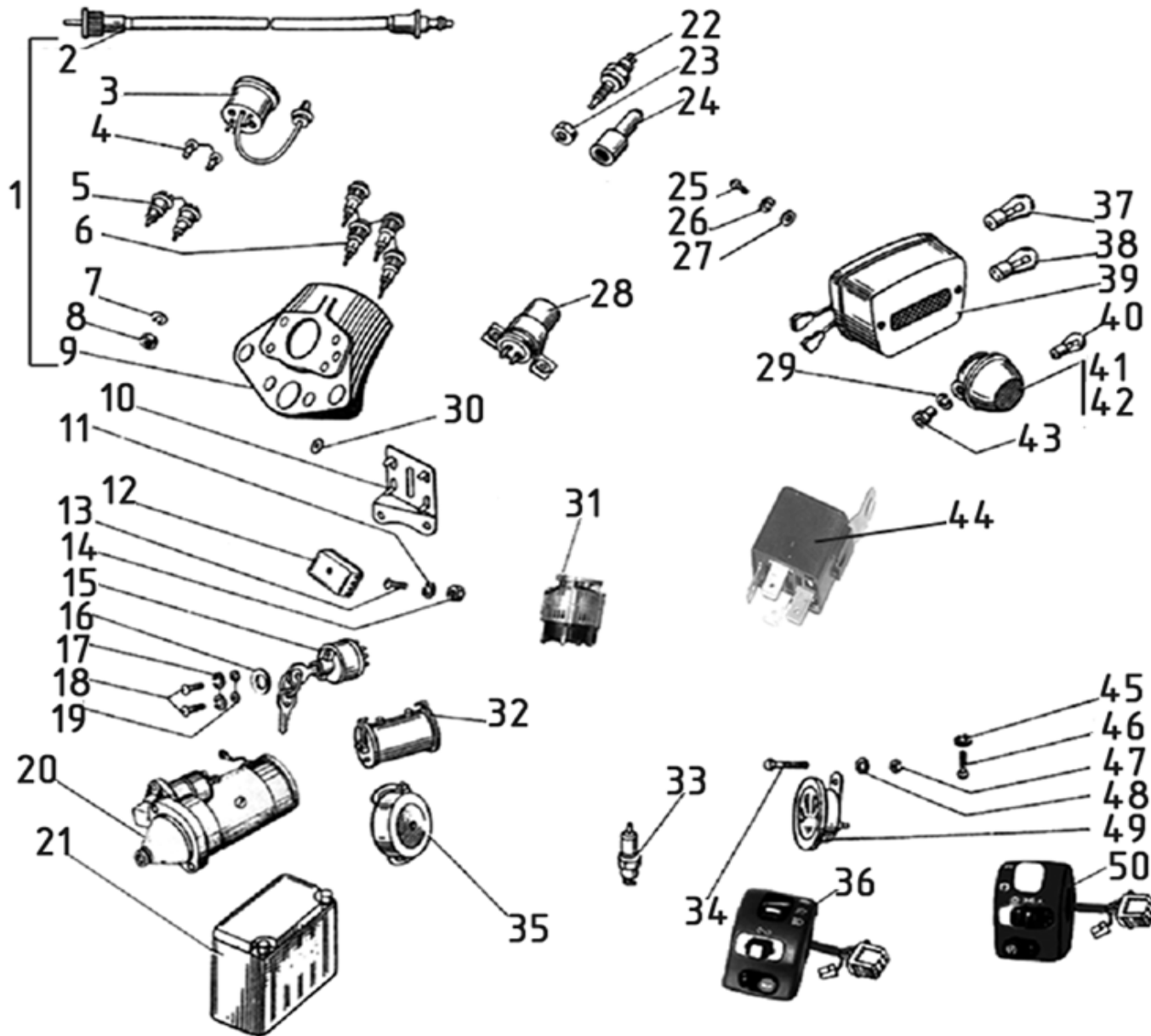


Fig.44

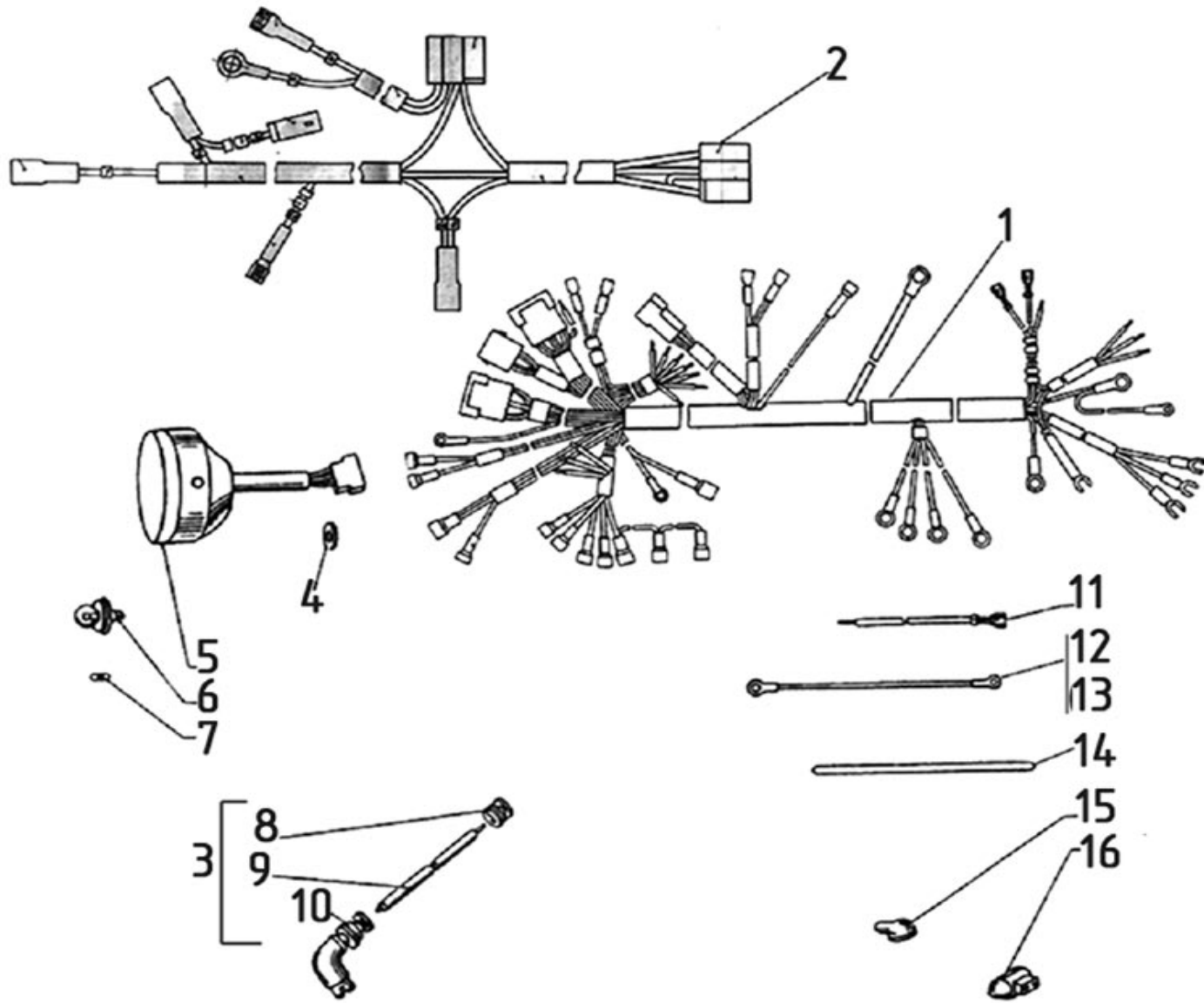


Fig.45

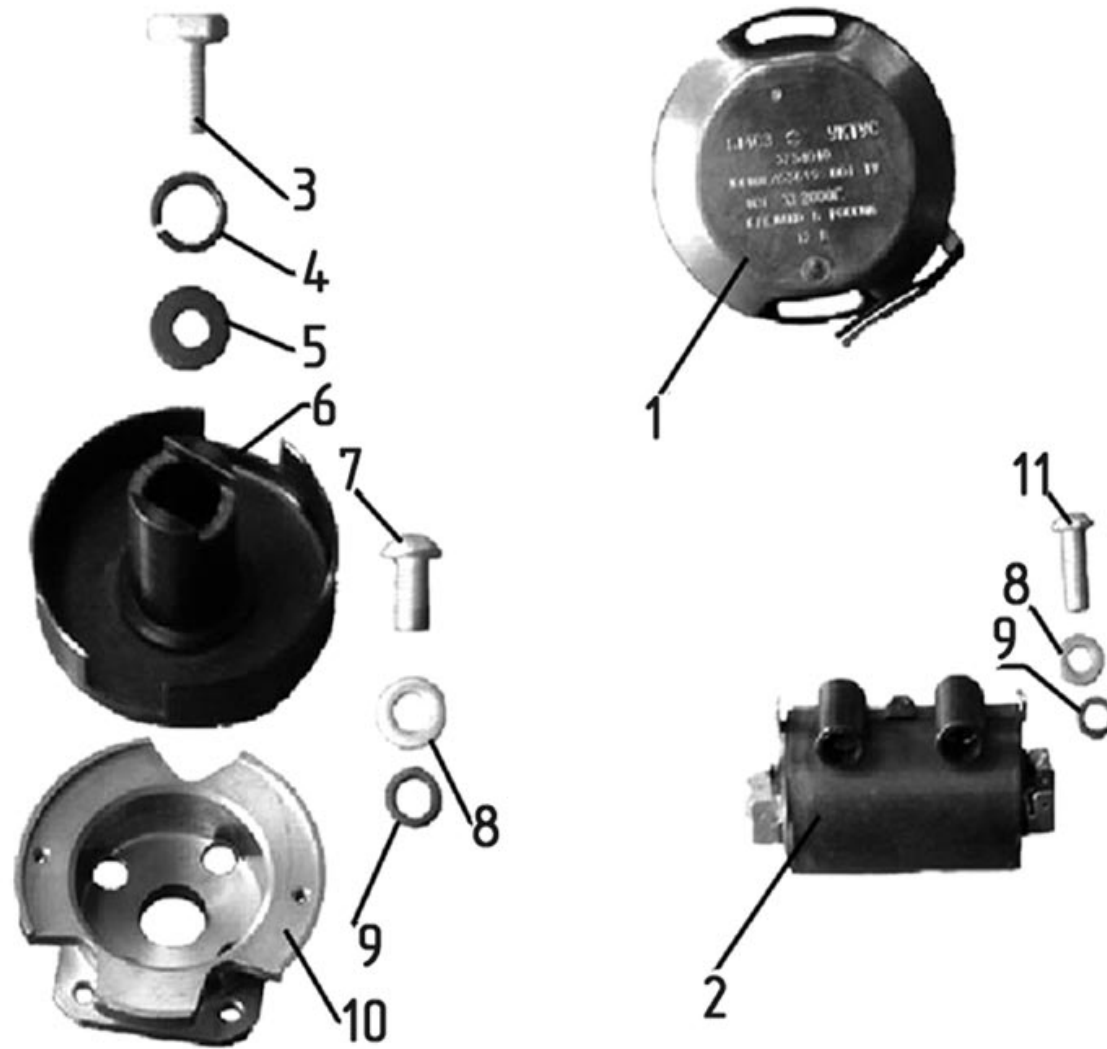


Fig.46

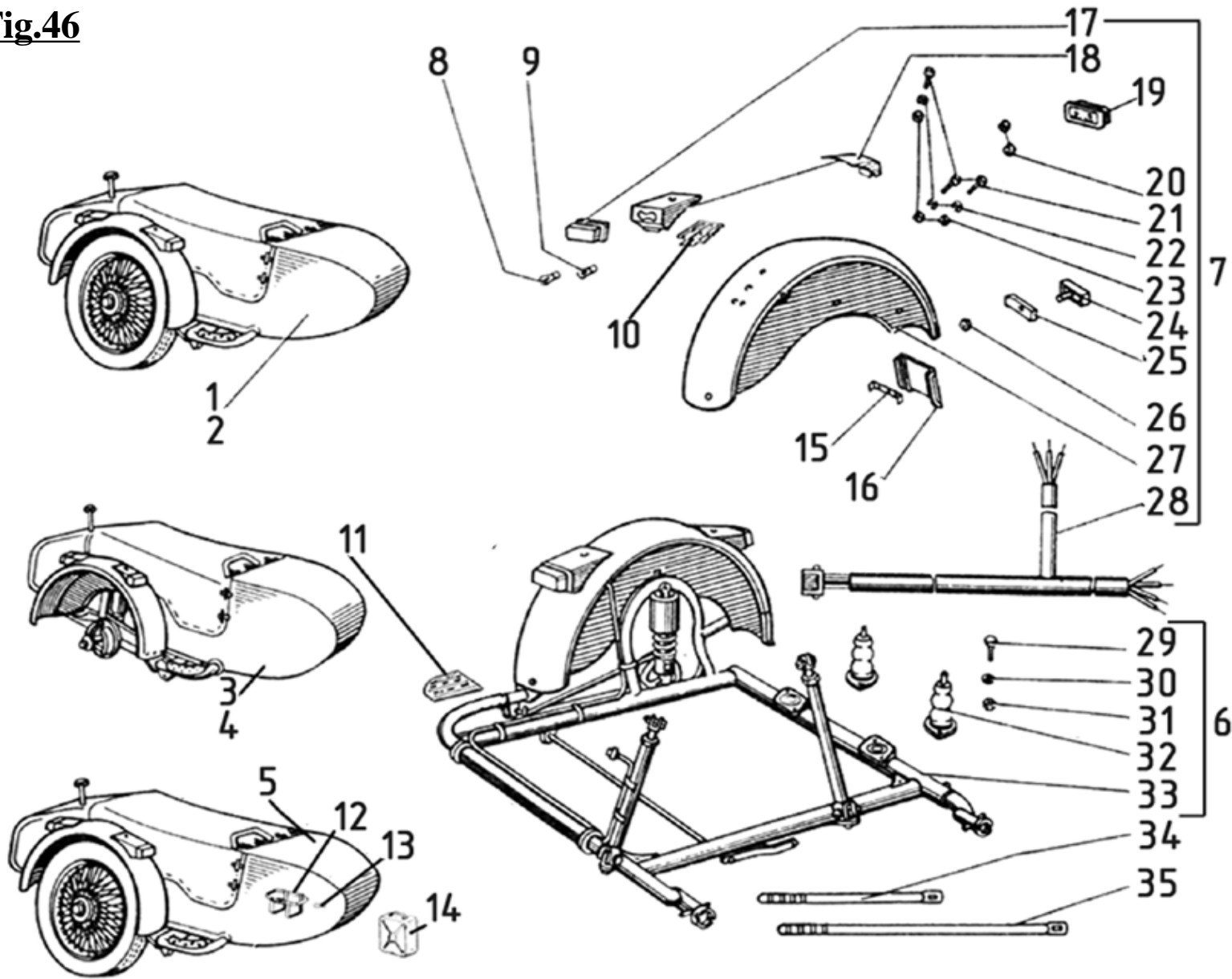


Fig.47

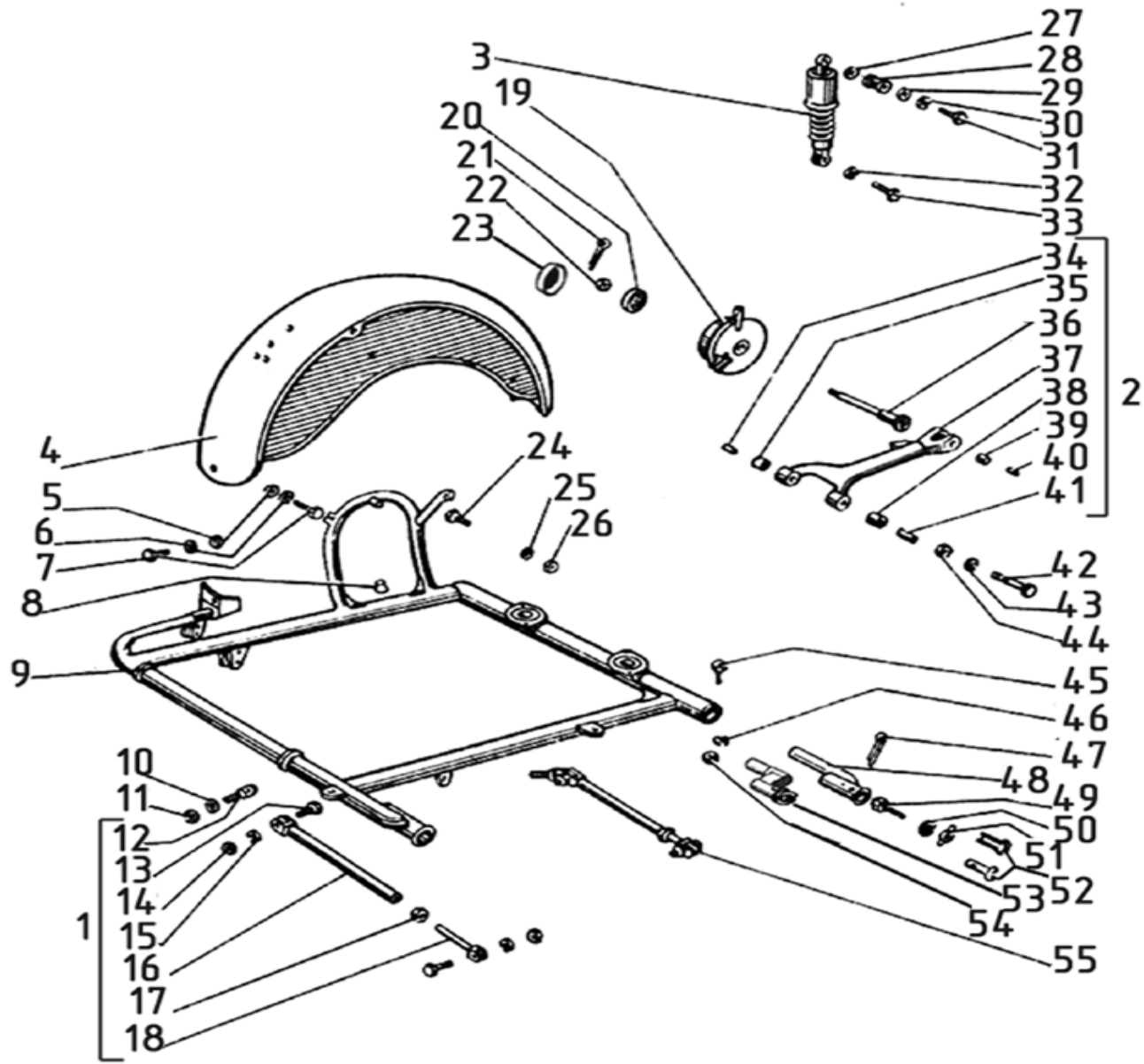


Fig.48

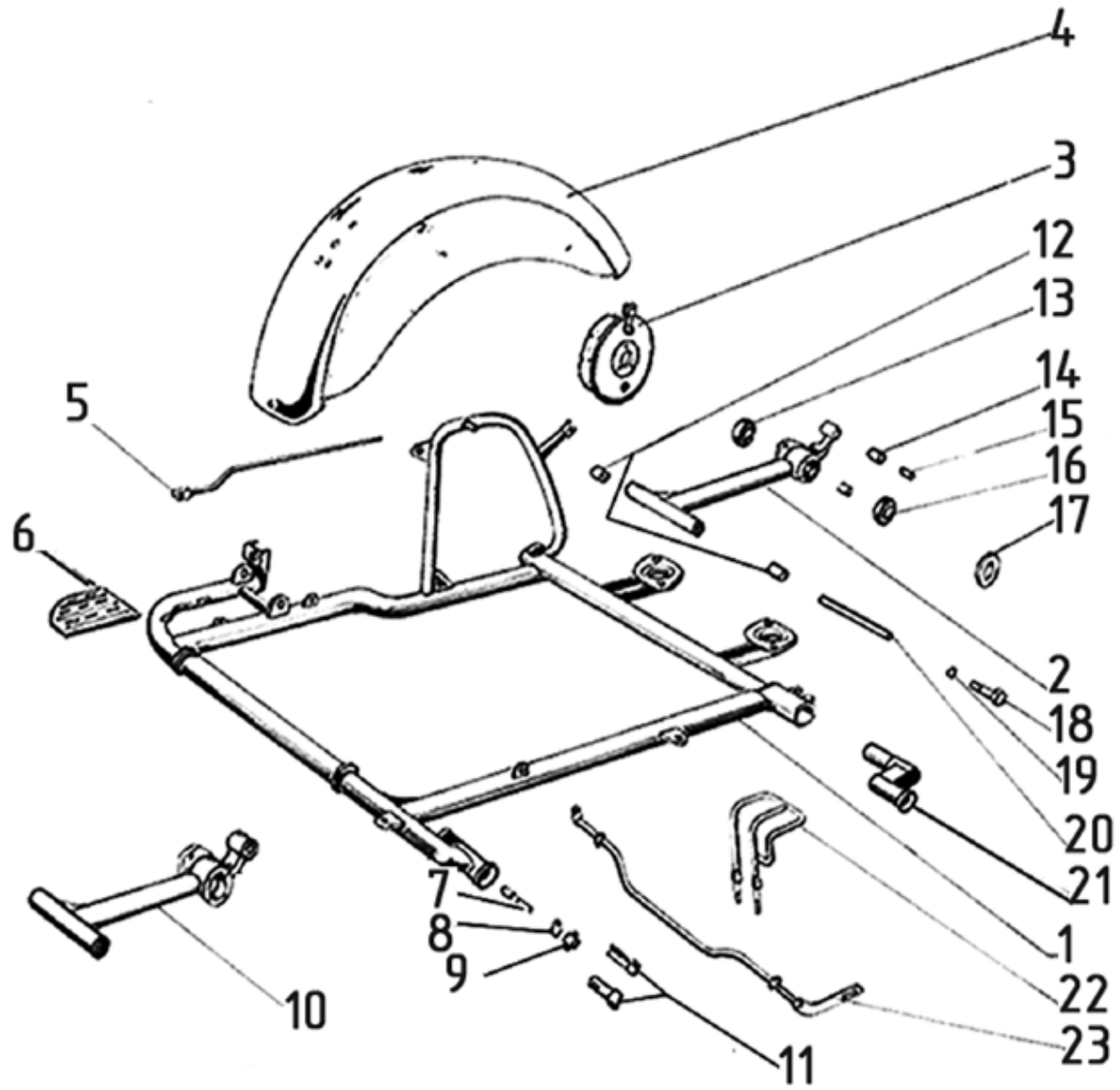


Fig.49

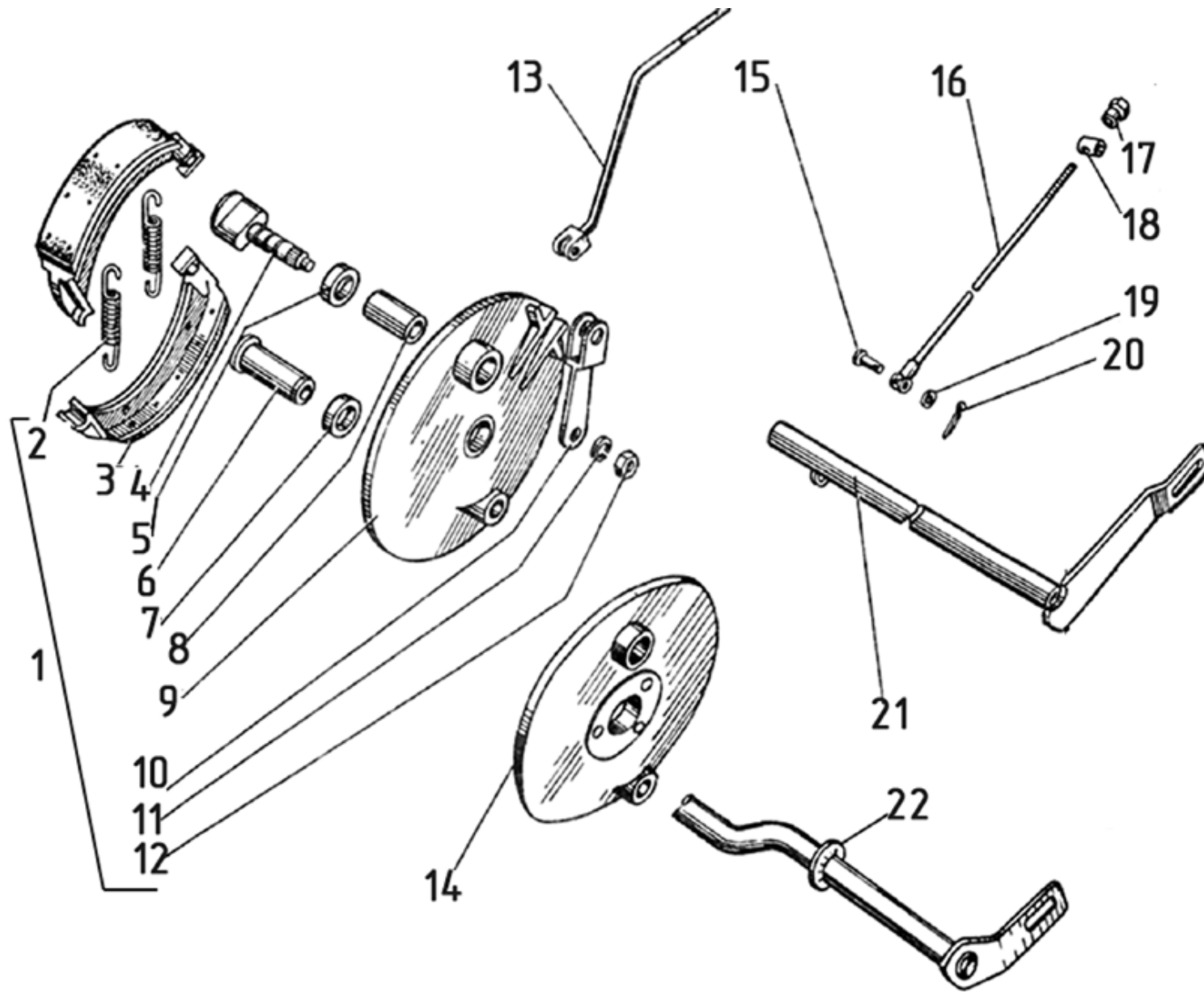


Fig.50

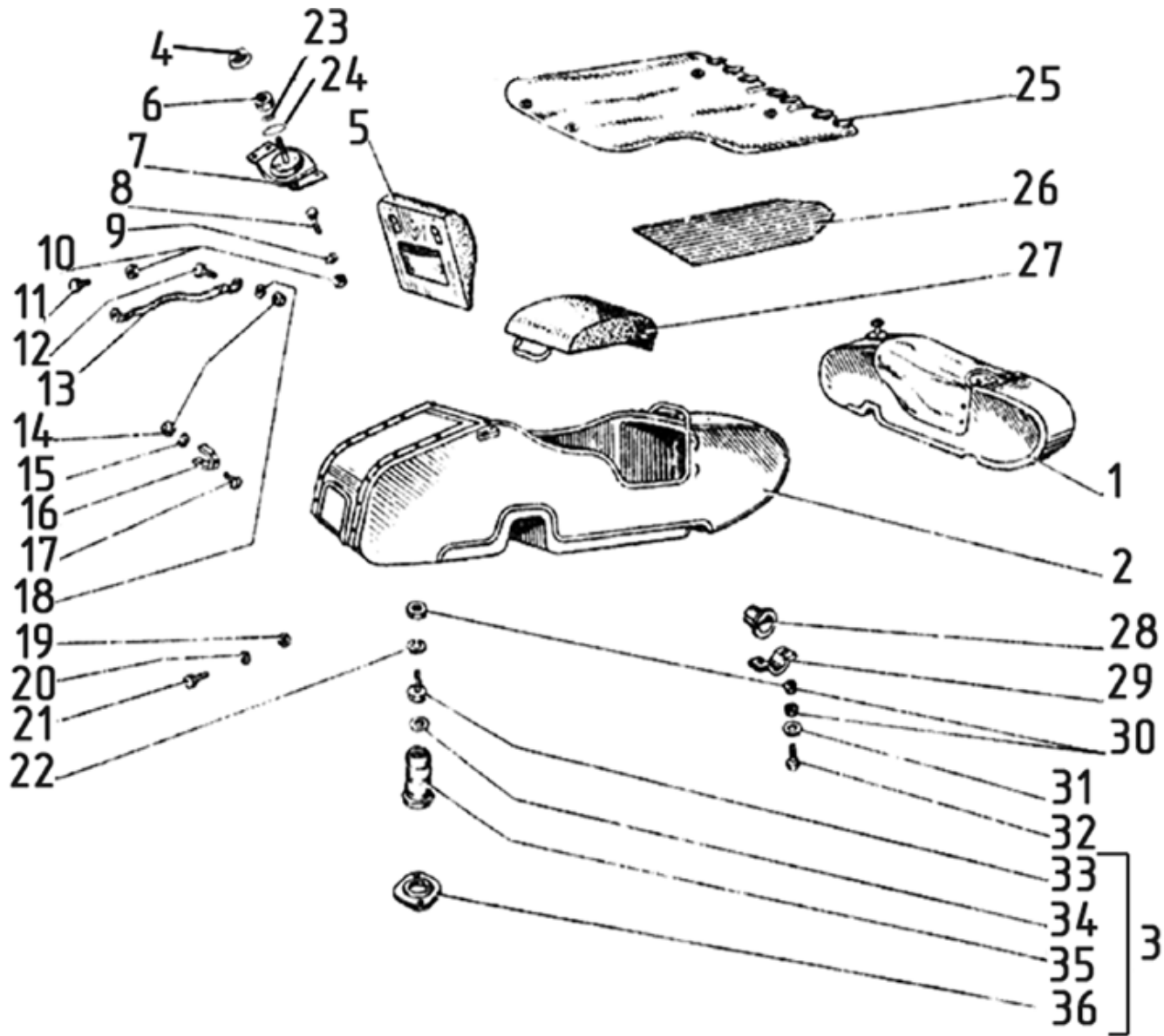


Fig.51

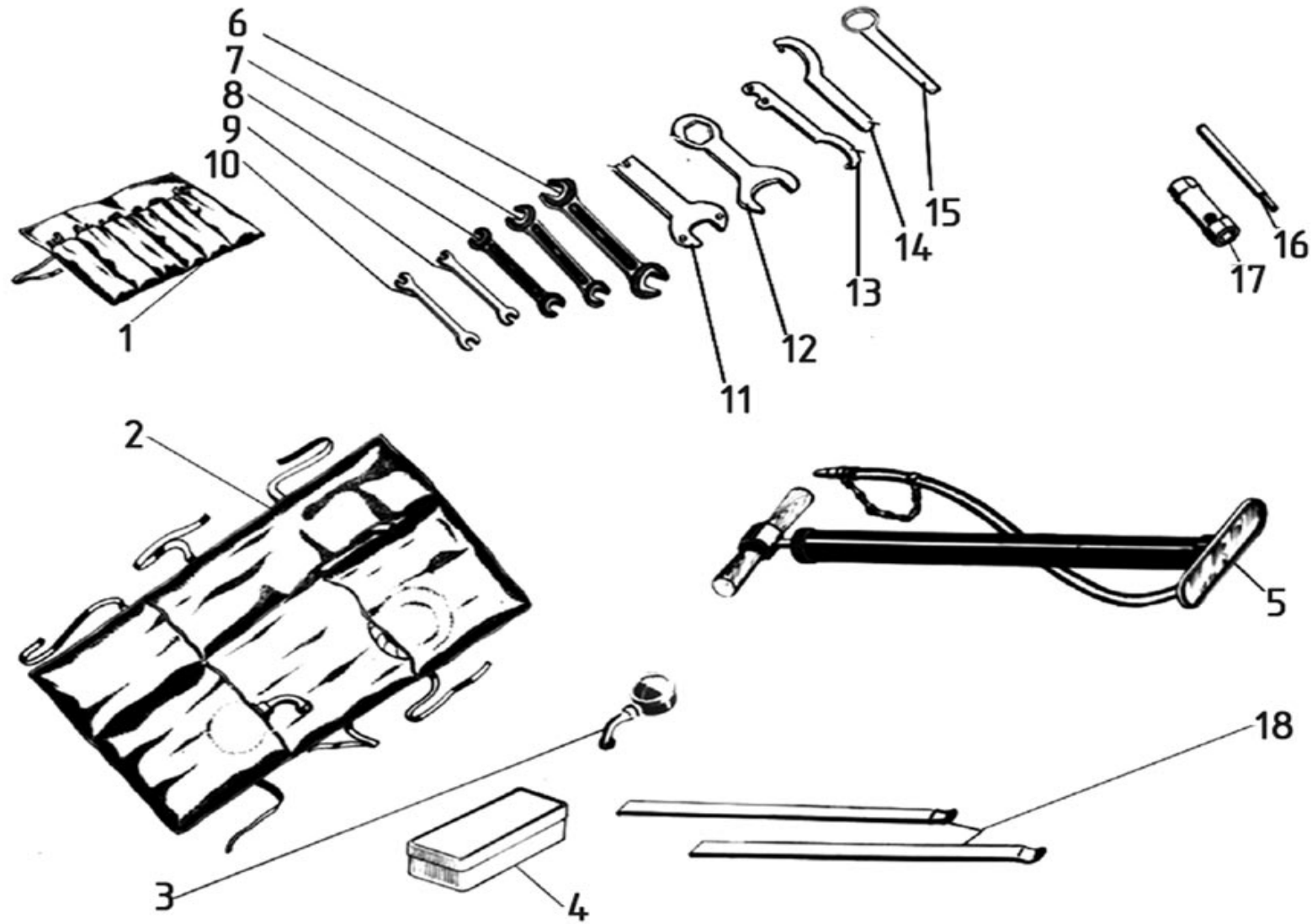
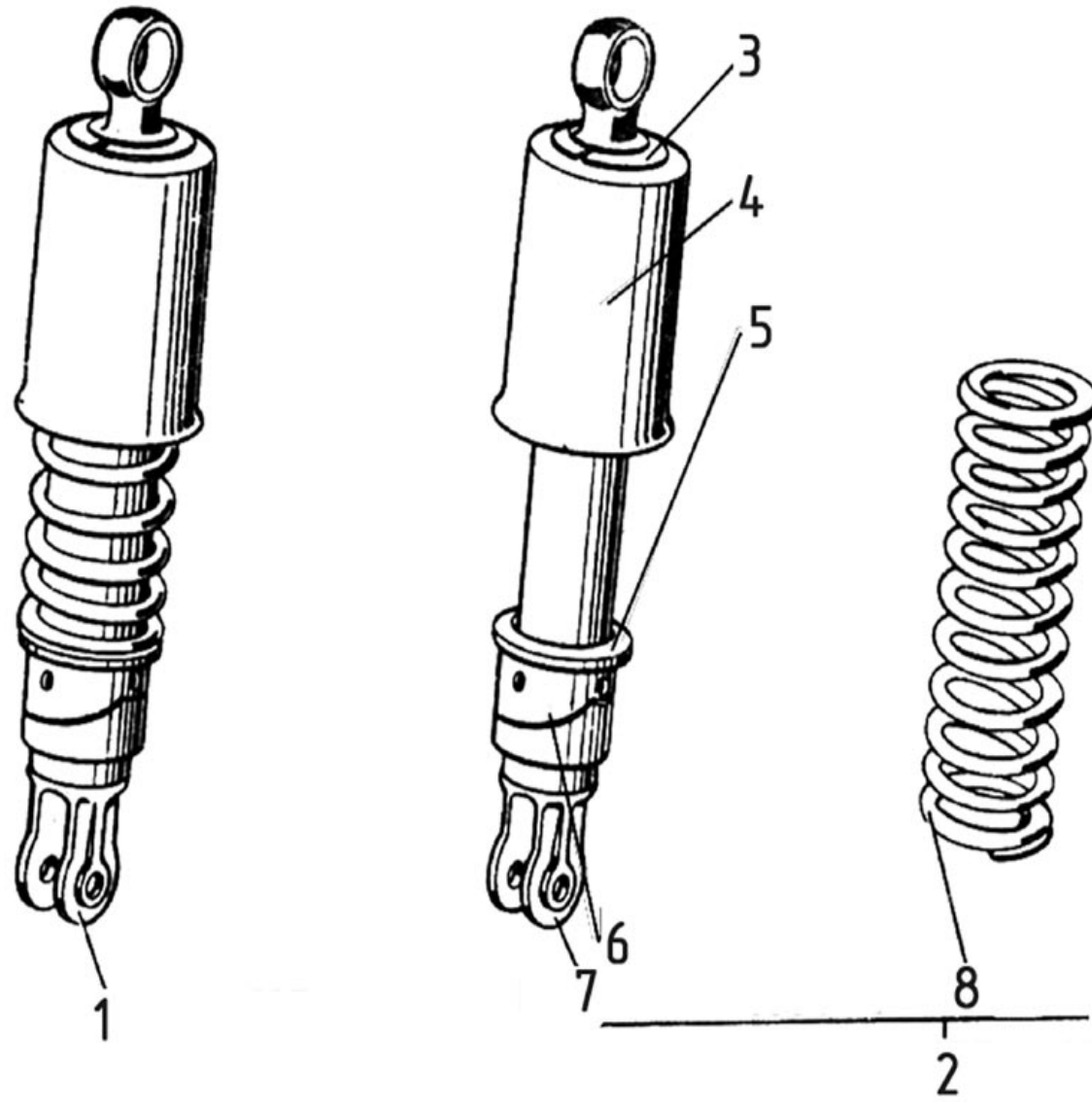


Fig.52

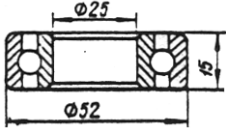
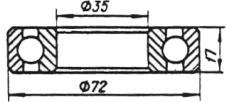
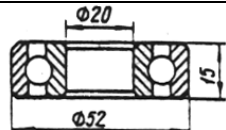
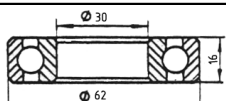
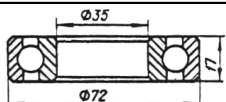
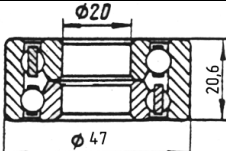
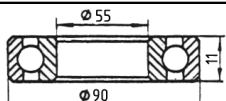
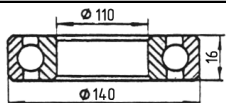
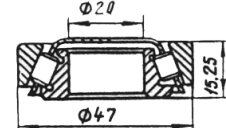
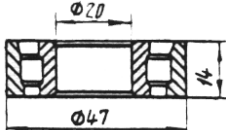




Sealing rings and bearings

Part #	Drawing #	Description of the part, Unit to mount	Dimensions, mm			Q-ty
			D	d	H	
6201122-B		Camshaft seal collar	30,1	15	7	1
VITON		Crankshaft seal collar	80	55	10	1
6204147		Gear box cover seal collar	25,1	12,3	7	1
6204152		Clutch shaft seal collar	45	32	8	1
IMZ-8.103-04015		Main shaft seal assy, front fork seal assy	48	36	7	1
6205334		Drive shaft seal collar	49,4	33	8	1
IMZ-8.103-04141		Gear shift pedal seal collar	32	15	7	1
7203207-A		Clutch release slide ring	20,5	17	3,5	2
7203213-20		Clutch release rod seal	11,4	4,4	8	1
IMZ-8.101-04122		Kick starter shaft collar seal	40	20	10	1
6206162-10		Wheel collar seal	38	24	8	4
IMZ-8.101-05113		Final drive housing collar seal	59	45	7	1
IMZ-8.107-05125		Side car drive collar seal	80	55	10	1
IMZ-8.103-08123		Front fork collar seal	44	34,5	15,2	2
IMZ-8.101-08159		Steering column seal	59,5	51	5	2
6326152		Seal gasket of shock absorber tank nut	40	30	4,5	2
6326155		Seal of shock absorber rod	24	11,1	8	3



Part drawing	Vendor #	Part designation	Bearing description	Unit to mount	Q-ty
	205	4612121618	Ball radial single raw	Gear box clutch shaft Camshaft	1 1
	5-207K5 207	4612132172	Ball radial single raw	Crank shaft Driven crown gear of final drive hub	2 1
	304	4612123774	Ball radial single raw	Gear box main shaft	1
	180206		Ball radial single raw	Bearing unit of side car drive	1
	180207		Ball radial single raw	Bearing unit of side car drive	1
	3056204		Ball radial double raw	Side car drive	1
	7000111		Ball radial single raw	Side car drive	1
	1000822		Ball radial single raw	Side car drive	1
	7204	4624120455	Roller tapered	Wheel hub	8
	12204	4622121395	Roller radial	Gear box clutch shaft	1



	778707K	4616526646	Ball thrust radial	Steering column	2
	864708 DM	4625322582 4567120549 4567120835	Roller radial Cage Roller	Con rod big end	2
	874901	4642222381	Needle	Driven gear of final drive	1
	904700	4641111818	Needle	Drive shaft U-joint	4
	904902		Needle	Side car drive shaft U-joint	8
	948066	4616116962	Ball thrust without race	Clutch release mechanism	1
	3086304L	4615828065	Ball thrust radial	Final drive driving gear	1

Rollers and balls

Description	Diameter, mm	Length, mm	Unit to mount	Q-ty per motorcycle
Ball BIV 4	4		Holder of the front wheel adjustment screw	1
Ball 10-200	10		Pressure-relief valve of engine lubrication system	1
Needle roller	3	15,8	Driven crown gear of final drive hub	45



STANDARDIZED ITEMS

HEXAGONAL NUT

Nut No.	Drawing	Cipher	Main dimensions		
			d	S	H
250462-P29		45 9553 1052	M4	7	3,2
250464-P29		45 9553 1053	M5	8	4
250508-P29		45 9553 1054	M6	10	5
250510-P29		45 9553 1055	M8	13	6,5
250511-P29		45 9553 1056	M8×1	13	6,5
250513-P29		45 9951 4002	M10×1	17	8
250515-P29		45 9553 1060	M12×1,25	19	10
250559-P29		45 9553 1062	M14×1,5	22	11

THIN HEXAGONAL NUT

Nut No.	Drawing	Cipher	Main dimensions		
			d	S	H
250612-P29		45 9553 1257	M10	17	6
250613-P29		45 9951 4014	M10×1	17	6
250638-P29		45 9553 1266	M18×1,5	27	9

SLOTTED HEXAGONAL NUT


Nut No.	Drawing	Cipher	Main dimensions				
			d	S	H	H ₀	h
250867-P8		45 9553 9606	M8×1	13	9,5	6	2,5
250870-P29		45 9553 1612	M14×1,5	22	16	11	3,5
250978-P29		45 9553 9512	M14×1,5	22	11	7	3,5
292917-P8		45 9952 4381	M20×1,5	27	13	8	4,5

HEX- HEAD BOLT

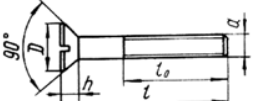
Bolt No.	Drawing	Cipher	Main dimensions				
			d	l	l ₀	h	S
200219-P8		45 9326 9008	M6	50	18	4	10
200274-P29		45 9326 1031	M8	75	22	5	12
201418-P29		45 9326 1504	M6	16	16	4	10
201420-P13		45 9346 8506	M6	20	20	4	10
201422-P29		45 9346 1508	M6	25	18	4	10
201428-P29		45 9346 1514	M6	40	18	4	10
201453-P		45 9346 0519	M8	14	14	5	12
201461-P29		45 9346 1527	M8	32	22	5	12
201474-P29		45 9346 1538	M8×1	16	16	5	12
201476-P29		45 9346 1540	M8×1	20	20	5	12
201477-P29		45 9346 1541	M8×1	22	22	5	12
201480-P29		45 9346 1544	M8×1	30	22	5	12
201489-P29		45 9346 1551	M8×1	55	22	5	12
201492-P29		45 9346 1554	M10	14	14	6	14
201525-P29		45 9951 1174	M10×1	42	26	6	14
201532-P29		45 9951 1193	M10×1	70	30	6	14
201572-P29		45 9346 1626	M12×1,25	55	30	7	17
291554-P8		45 9347 0622	M12×1,25	38	22	7	17
365050-P29		45 6712 1065	M12×1,75	70	50	10	17



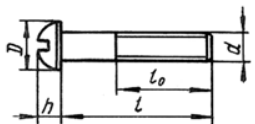
HEX-HEAD EYE BOLT

Bolt No.	Drawing	Cipher	Main dimensions					
			d	l	l_0	h	S	d_1
365043-P		45 6712 0828	M6	16	16	4,2	10	2

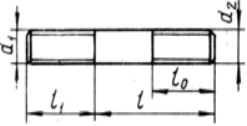
SUNK SCREW

Screw No.	Drawing	Cipher	Main dimensions				
			d	l	l_0	h	D
221580-P29 221605-P8 221608-P29 221623-P29		45 9412 1082 45 9412 9109 45 9412 1112 45 9412 1127	M5 M6 M6 M6	16 16 22 70	14 13 19 18	2,5 3 3 3	9 11 11 11

BUTTON-HEAD SCREW

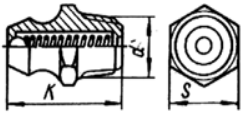
Screw No.	Drawing	Cipher	Main dimensions				
			d	l	l_0	h	D
220000-P27/P29 220050-P29 220057-P29 220078-P29 220080-P29/P13 220083-P29 220088-P29 220103-P29 220104-P29		45 9432 8025/1025 45 9432 1052 45 9432 1059 45 9432 1080 45 9432 1082/8082 45 9432 1085 45 9432 1090 45 9432 1107 45 9432 1108	M3 M4 M4 M5 M5 M5 M5 M6 M6	5 8 22 12 16 22 35 12 14	5 8 14 12 16 16 16 12 14	5 2,8 2,8 3,5 3,5 3,5 3,5 4,2 4,2	5,5 7 7 8,5 8,5 8,5 8,5 10 10

STUD


Stud No.	Drawing	Cipher	Main dimensions				
			d_2	l	l_0	l_1	d_1
009410-P29 009414-P29 009507-P29 365631-P29 365632-P29		45 6712 0719 45 9976 3035 45 9976 3038 45 9516 0023 45 9963 3321	M8×1 M8×1 M10×1 M8×1 M8×1	35 55 22 16 21	22 20 20 13 15	20 16 25 9 16	M8 M8 M10 M8 M8



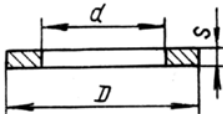
GREASE CUP

Grease cup No.	Drawing	Cipher	Main dimensions		
			<i>d</i>	<i>K</i>	<i>S</i>
264072-P8		45 9167 4010	M6 main	13	8

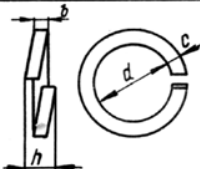
FORMED WASHER

Washer No.	Drawing	Cipher	Main dimensions		
			<i>d</i>	<i>D</i>	<i>S</i>
252002-P29		45 9811 1203	4,3	9	1
252003-P29		45 9811 1204	5,3	10	1,2
252004-P29		45 9811 1205	6,4	12,5	1,4
252005-P29		45 9811 1206	8,4	17	1,4
252006-P29		45 9811 1207	10,5	21	2
252016-P29		45 9811 1209	14,5	28	3
367839-P29		45 9963 6797	12,5	25,5	2

ALUMINIUM SHIM WASHER

Washer No.	Drawing	Cipher	Main dimensions		
			<i>d</i>	<i>D</i>	<i>S</i>
011407 011412		45 9976 6017 45 9976 6021	14,2 24,3	20 32	1,5 1,5

LIGHT SPRING WASHER

Washer No.	Drawing	Cipher	Main dimensions			
			<i>d</i>	<i>b</i>	<i>c</i>	<i>h</i>
252132-P2		45 9816 6023	4,1	1,2	1,2	2,4
252153-P2		45 9816 6004	5,1	1,2	1,6	2,4
252154-P2		45 9816 6005	6,1	1,4	2	2,8
252155-P2		45 9816 6006	8,1	1,6	2,5	3,2
252156-P2		45 9816 6007	10,1	2	3	4
252157-P2		45 9816 6008	12,1	2,5	3,5	5
252158-P2		45 9816 6009	14,2	3	4	6



OPENING COTTER PIN

Cotter pin No.	Drawing	Cipher	Main dimensions				
			l	d	h	a	d_1
258014-P		45 9871 0018	20	1,8	4	2,5	3,6
258041-P		45 9871 0052	32	2,9	6,4	3,2	5,7
258071-P		45 9871 0088	45	4,6	10	4	9,2

PIN

Pin No.	Drawing	Cipher	Main dimensions	
			d	l
258612-P		45 9842 0357	4	12
258639-P		45 9842 0383	6	16

KEY

Key No.	Drawing	Cipher	Main dimensions			
			b	h	l	d
014107		45 9951 7411	3	5	12,6	13
014110		45 9951 7481	4	5	12,6	13
7201222		45 6712 0056	6	6,5	18	19



COLOUR MARKINGS OF CRANK MECHANISM PARTS

Colour marking	Pin dia	Dia of hole in connecting rod small end, mm	Piston boss hole dia, mm
White	21,0000-20,9975	21,0070-21,0045	21,0035-21,0010
Black	20,9975-20,9950	21,0045-21,0020	21,0010-20,9985
Red	20,9950-20,9925	21,0020-20,9995	20,9985-20,9960
Green	20,9925-20,9900	20,9995-20,9970	20,9960-20,9935

INDEX STAMPED ON PISTON BOTTOM

Group index	Piston skirt dia in plane perpendicular to piston pin axis
A	77,92-77,91
B	77,93-77,92
C	77,94-77-93

INDEX STAMPED ON CYLINDER FACE

Group index	Cylinder dia
A	78,01-78,00
B	78,02-78,01
C	78,03-78,02